

**Profec Gate valve cast iron
GGG 50 epoxy coating DN65
DIN flange 16bar blue PN10/16
type 302 (7038243)**



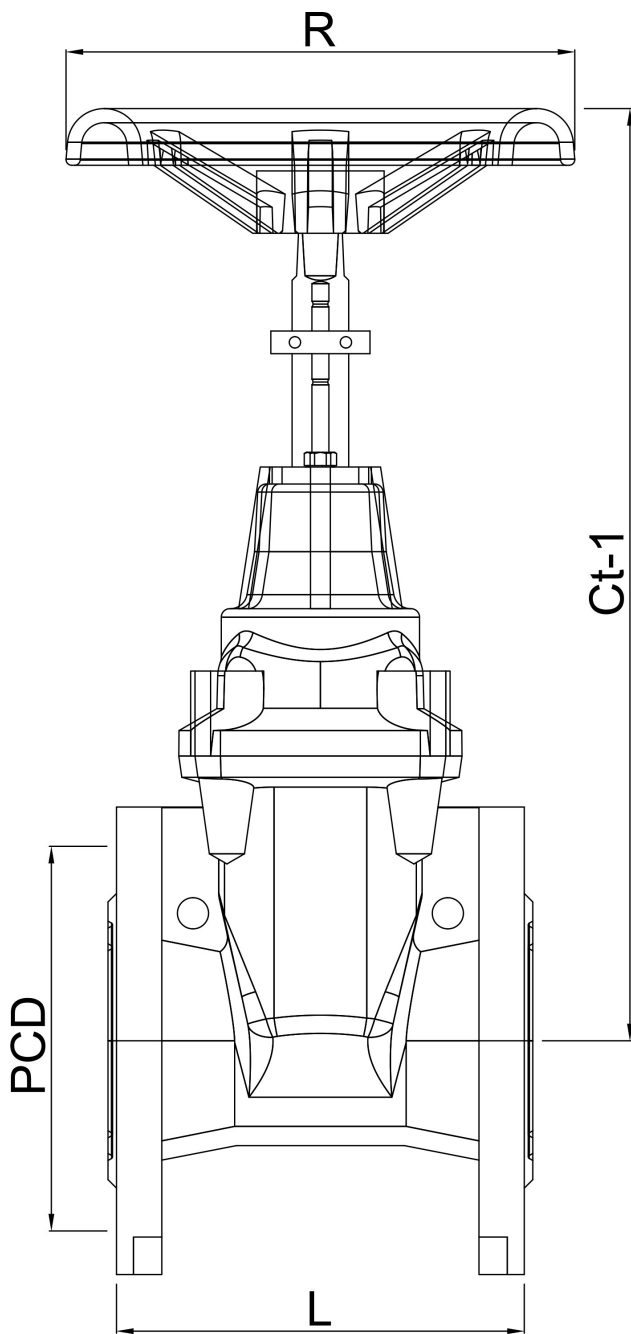
TECHNICAL SPECIFICATIONS

| | |
|-------------------------|-----------------------|
| Colour | blue |
| Type | 302 |
| Material | cast iron GGG 50 |
| Surface treatment | epoxy coating |
| Operation | handwheel |
| Colour lever | blue |
| Handle material | cast iron |
| Material valve | cast iron EPDM coated |
| Material spindle | stainless steel |
| Material housing | cast iron GGG 50 |
| Material seal | NBR |
| Connection | DIN flange |
| Max. temperature | 110 °C |
| RAL number | RAL5017 |
| Flange according to DIN | DIN 2501/PN10 |
| Pressure | 16 bar |
| Max. temp. | 120 °C |

| | |
|---------|---------|
| Size | DN65 |
| Length | 170 mm |
| Flange | PN10/16 |
| Outer ø | 183 mm |
| PCD | 145 mm |
| Holes | 4 |

DIMENSIONS

| | |
|---------------------|----------------|
| Construction length | din 3352/2c/f4 |
| Ct-1 | 230 mm |
| L | 170 mm |
| L | 170 mm |
| PCD | 145 mm |
| R | 160 mm |



Last modified date: 27/05/2026

Bosta UK Ltd.
Reflection House
Olding Road
Bury St. Edmunds

Suffolk
IP33 3TA
T +44 (0) 1284 716580
E enquiries@bosta.co.uk
<http://www.bosta.com>