

# Profec Ball valve PVC-U 3" imperial glue socket 10bar grey type 2001 (0112068)



# TECHNICAL SPECIFICATIONS

Colour grey

Type 2001

Material PVC-U

Operation lever

Colour lever red

Handle material PVC-U

Housing construction 3-part

Ball material PVC-U

Material housing PVC-U

Material seal PE/EPDM

Connection imperial glue socket

Temperature range 0°C - 60°C

Size 3"

Pressure 10 bar

## DIMENSIONS

Ct-1 179 mm

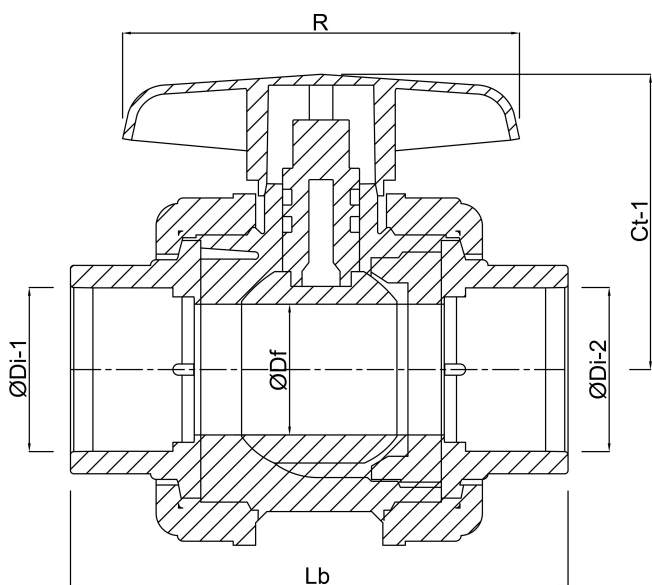
Lb 269 mm

R 165 mm

ØDf 79.5 mm

ØDi-1 3 "

ØDi-2 3 "



**Last modified date: 07/03/2026**

Bosta UK Ltd.  
Reflection House  
Olding Road  
Bury St. Edmunds  
Suffolk  
IP33 3TA  
T +44 (0) 1284 716580  
E [enquiries@bosta.co.uk](mailto:enquiries@bosta.co.uk)  
<http://www.bosta.com>