

Ball valve PVC-U 75 mm glue socket 10bar DN65 grey type AK (0161506)



TECHNICAL SPECIFICATIONS

Colour grey

Type AK

Material PVC-U

Operation lever

Colour lever red

Handle material PVC-U

Housing construction 3-part

Material housing PVC-U

Material seal PE/EPDM

Connection glue socket

Max. temperature 60 °C

Minimum medium temperature 0 °C
(continuous)

Size 75 mm

DN 65

Pressure 10 bar

DIMENSIONS

Ct-1 184 mm

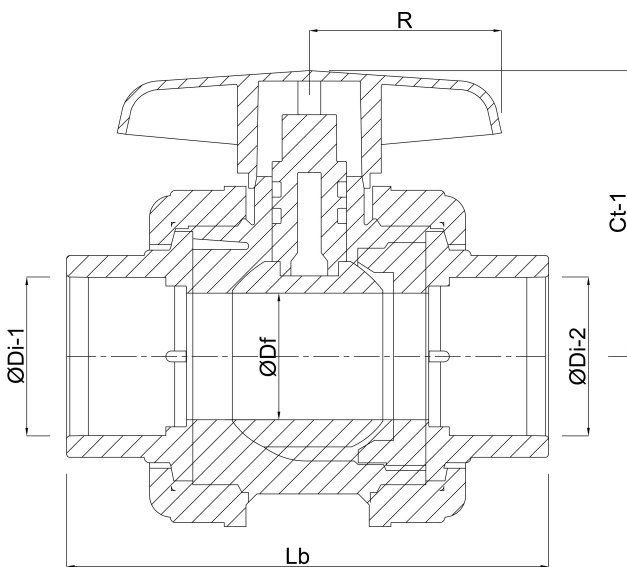
Lb 238 mm

R 100 mm

ØDf 65 mm

ØDi-1 75 mm

ØDi-2 75 mm



Last modified date: 23/05/2026

Bosta UK Ltd.
Reflection House
Olding Road
Bury St. Edmunds
Suffolk

IP33 3TA
T +44 (0) 1284 716580
E enquiries@bosta.co.uk
<http://www.bosta.com>