

# Profec Backing ring PP 225 mm 10bar DN200 black PN10 (0101396)



# TECHNICAL SPECIFICATIONS

Colour black

Material PP

Size 225 mm

Packaging 6 pcs

DN 200

Inner ø 250 mm

Flange PN10

Outer ø 340 mm

Thickness 34 mm

Pressure 10 bar

Bolt hole 22 mm

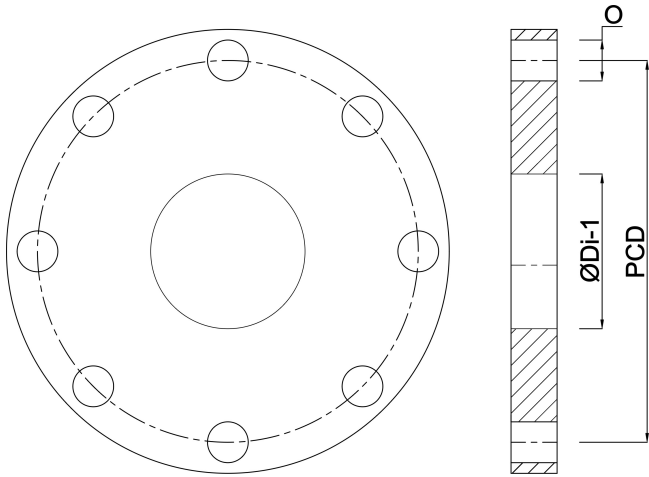
Holes 8

## DIMENSIONS

ØDi-1 250 mm

PCD 295 mm

O 22 mm



**Last modified date: 01/10/2025**

Bosta UK Ltd.  
Reflection House  
Olding Road  
Bury St. Edmunds  
Suffolk  
IP33 3TA  
T +44 (0) 1284 716580  
E [enquiries@bosta.co.uk](mailto:enquiries@bosta.co.uk)  
<http://www.bosta.com>