

# Backing ring steel galvanised 200 mm x 8" type round (0200664)



# TECHNICAL SPECIFICATIONS

Type round

Material steel

Surface treatment galvanised

Thickness 8 mm

Bolt hole 13 mm

Holes 4

Size 200 mm x 8"

Inner ø 232 mm

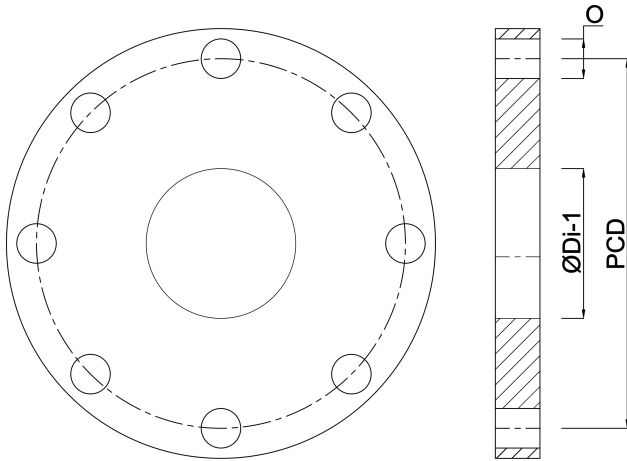
Outer ø 295 mm

## DIMENSIONS

O 13 mm

PCD 255 mm

ØDi-1 132 mm



## PRODUCT INFORMATION

Enhance your industrial operations with this Round Backing Flange. Precision-crafted for seamless compatibility, it delivers leak-proof connections, reducing downtime and expenses. Rigorously tested for reliability, it ensures consistent performance even in demanding environments. Reduce disruptions, amplify efficiency, and save on maintenance costs. Trusted by industry leaders, this flange optimizes performance across diverse applications.

**Last modified date: 25/05/2026**

Bosta UK Ltd.  
Reflection House  
Olding Road  
Bury St. Edmunds  
Suffolk  
IP33 3TA  
T +44 (0) 1284 716580  
E [enquiries@bosta.co.uk](mailto:enquiries@bosta.co.uk)  
<http://www.bosta.com>