

**Profec 2-piece ball valve  
stainless steel 316 2" female  
thread x male thread 50bar  
(0091015)**



# TECHNICAL SPECIFICATIONS

|                      |                             |
|----------------------|-----------------------------|
| Material             | stainless steel 316         |
| Operation            | lever                       |
| Colour lever         | blue                        |
| Handle material      | stainless steel             |
| Housing construction | 2-part                      |
| Material housing     | stainless steel             |
| Material seal        | PTFE                        |
| Connection           | female thread x male thread |
| Pressure             | 50 bar                      |
| Size                 | 2"                          |

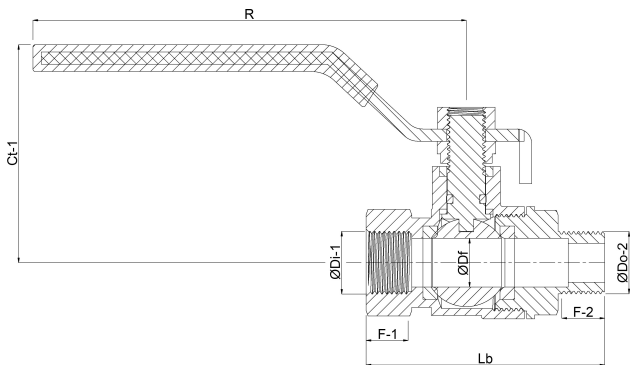
# DIMENSIONS

|      |          |
|------|----------|
| Ct-1 | 91 mm    |
| F-1  | 25 mm    |
| F-2  | 22.75 mm |
| Lb   | 139,5 mm |
| R    | 160 mm   |

ØDf 50 mm

ØDi-2 2 "

ØDo-1 2 "



**Last modified date: 22/05/2026**

Bosta UK Ltd.  
Reflection House  
Olding Road  
Bury St. Edmunds  
Suffolk  
IP33 3TA  
T +44 (0) 1284 716580  
E [enquiries@bosta.co.uk](mailto:enquiries@bosta.co.uk)  
<http://www.bosta.com>