

**Profec Flange threaded steel
DN65 x 2 1/2" DIN flange x
female thread 16bar black
PN10/16 (1180216)**



TECHNICAL SPECIFICATIONS

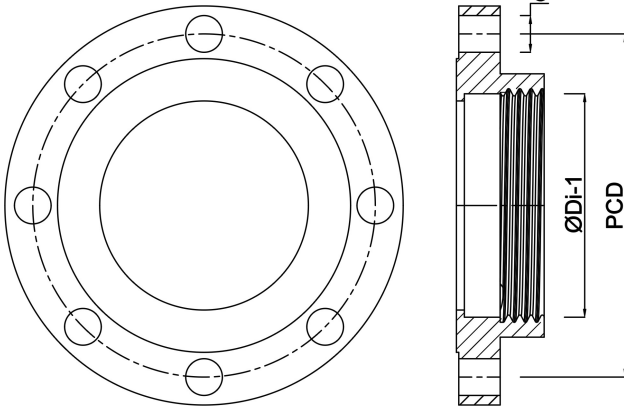
| | |
|--------------|----------------------------|
| Colour | black |
| Material | steel |
| Connection | DIN flange x female thread |
| DIN Standard | DIN 2566 |
| Flange | PN10/16 |
| Pressure | 16 bar |
| Size | DN65 x 2 1/2" |
| Diameter | 76,1 mm |
| Outer ø | 185 mm |
| Weight | 3.13 kg |
| Height | 32 mm |
| Thickness | 18 mm |
| PCD | 145 mm |
| Bolt hole | 18 mm |
| Holes | 4 |

DIMENSIONS

O 18 mm

PCD 145 mm

ØDi-1 2 1/2 "



Last modified date: 24/05/2026

Bosta UK Ltd.
Reflection House
Olding Road
Bury St. Edmunds
Suffolk
IP33 3TA
T +44 (0) 1284 716580
E enquiries@bosta.co.uk
<http://www.bosta.com>