

Itap Ball valve brass nickel plated 1/2" female thread 50bar type 092 (0402373)



TECHNICAL SPECIFICATIONS

Type 092

Material brass

Surface treatment nickel plated

Operation butterfly handle

Colour lever red

Handle material aluminium

Housing construction 2-part

Ball material hard chrome plated brass

Material housing brass

Material seal PTFE

Connection female thread

Max. temperature 150 °C

Minimum medium temperature -20 °C
(continuous)

Flow full

Size 1/2"

Pressure 50 bar

DIMENSIONS

Ct-1 41 mm

F-1 12.5 mm

F-2 12 mm

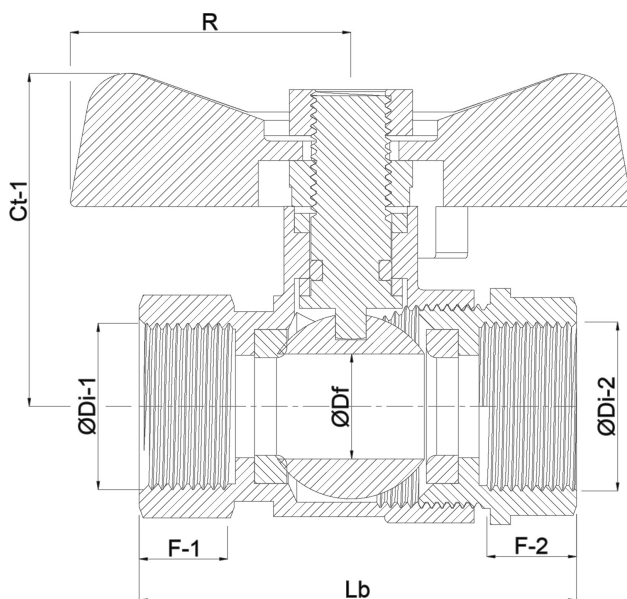
Lb 50,5 mm

R 23.5 mm

ØDf 15 mm

ØDi-1 1/2 "

ØDi-2 1/2 "



Last modified date: 23/05/2026

Bosta UK Ltd.
Reflection House
Olding Road
Bury St. Edmunds
Suffolk
IP33 3TA
T +44 (0) 1284 716580
E enquiries@bosta.co.uk
<http://www.bosta.com>