

**VDL Adaptor bush PVC-U 20
mm x 1/2" spigot x female
thread 10bar grey (7018170)**



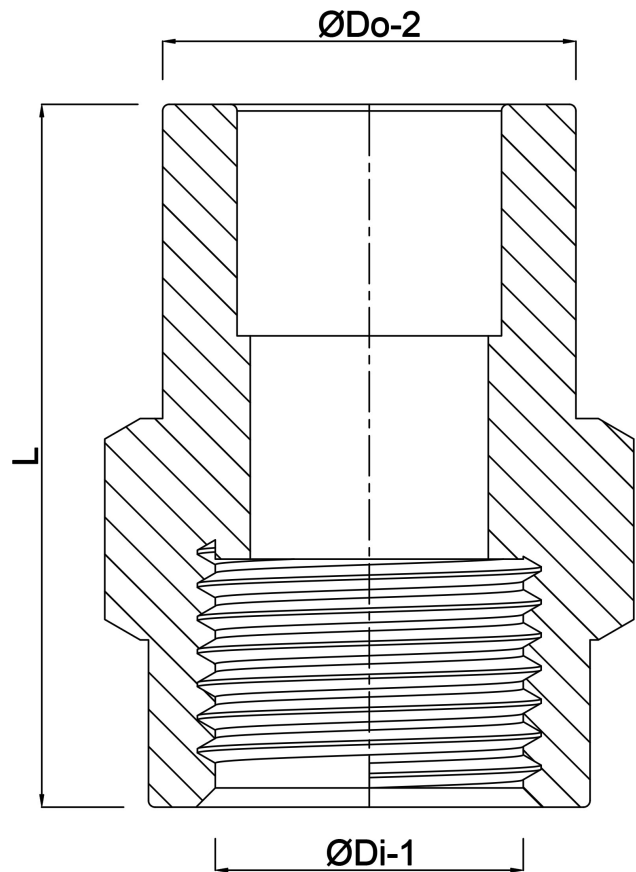
V-L Van de Lande

TECHNICAL SPECIFICATIONS

Colour	grey
Material	PVC-U
Connection	spigot x female thread
Pressure	10 bar
Size	20 mm x 1/2"

DIMENSIONS

F-1	15 mm
L	15 mm
ØDi-1	1/2 "
ØDo-2	20 "



Last modified date: 25/05/2026

Bosta UK Ltd.
Reflection House
Olding Road
Bury St. Edmunds
Suffolk
IP33 3TA
T +44 (0) 1284 716580
E enquiries@bosta.co.uk
<http://www.bosta.com>