

**Profec Non return valve ductile
iron (GGG40) epoxy coating
DN200 DIN flange 10bar
DN200 blue PN10 (0401935)**



TECHNICAL SPECIFICATIONS

Colour	blue
Material	ductile iron (GGG40)
Surface treatment	epoxy coating
Material cover	cast iron GG 40
Material housing	ductile iron (GGG40)
Material seal	NBR
Connection	DIN flange
Gasket	NBR
DIN Standard	DIN 2501
Temperature range	-20°C - 100°C
RAL number	RAL5017
Opening pressure	1 bar
Pressure	10 bar
Ball material	ductile iron/NBR
Size	DN200
Length	500 mm
DN	200

Flange PN10

Outer \varnothing 340 mm

Holes 8

DIMENSIONS

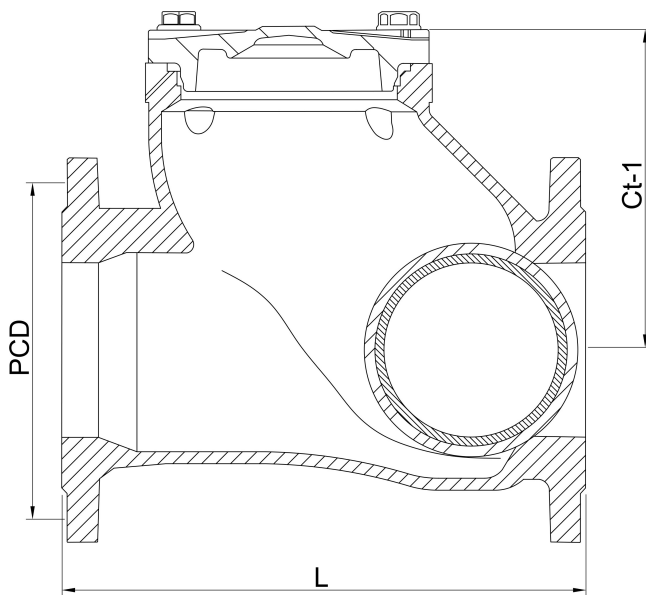
Construction length din 3202 f6

Install. length din 3202 f6

L 500 mm

PCD 295 mm

Ct-1 368 mm



Last modified date: 02/10/2025

Bosta UK Ltd.
Reflection House
Olding Road
Bury St. Edmunds
Suffolk
IP33 3TA
T +44 (0) 1284 716580
E enquiries@bosta.co.uk
<http://www.bosta.com>