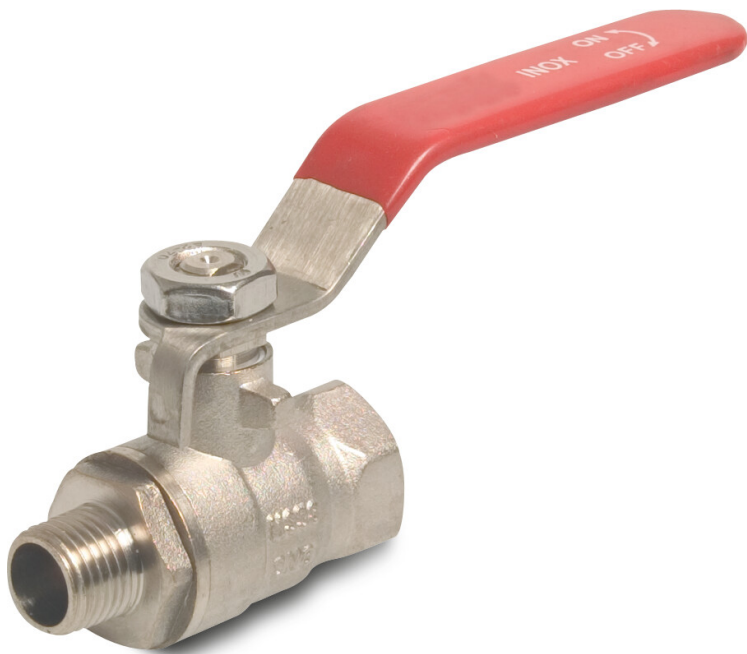


Profec Ball valve brass nickel plated 1" female thread x male thread 25bar type 104 VA (0403049)



TECHNICAL SPECIFICATIONS

| | |
|-------------------|-----------------------------|
| Type | 104 VA |
| Material | brass |
| Surface treatment | nickel plated |
| Operation | lever |
| Colour lever | red |
| Handle material | stainless steel |
| Ball material | hard chrome plated brass |
| Material housing | brass |
| Material seal | PTFE |
| Connection | female thread x male thread |
| Temperature range | -20°C - 120°C |
| Pressure | 25 bar |
| Size | 1" |

DIMENSIONS

| | |
|------|---------|
| Ct-1 | 56.9 mm |
| F-1 | 14 mm |

F-2 14 mm

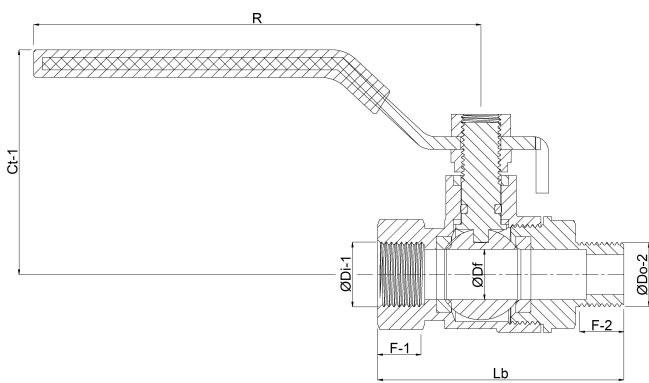
Lb 70,8 mm

R 126.3 mm

ØDf 24 mm

ØDi-2 1 "

ØDo-1 1 "



Last modified date: 08/05/2026

Bosta UK Ltd.
Reflection House
Olding Road
Bury St. Edmunds
Suffolk
IP33 3TA
T +44 (0) 1284 716580
E enquiries@bosta.co.uk
<http://www.bosta.com>