

Profec Ball valve brass nickel plated 2" female thread 25bar type 109 (0401574)



TECHNICAL SPECIFICATIONS

Type	109
Material	brass
Surface treatment	nickel plated
Operation	lever
Colour lever	red
Handle material	stainless steel
Housing construction	2-part
Ball material	hard chrome plated brass
Material housing	brass
Material seal	PTFE
Connection	female thread
Flow	full
Temperature range	-20°C - 120°C
Pressure	25 bar
Size	2"

DIMENSIONS

Ct-1 87.8 mm

F-1 25 mm

F-2 25 mm

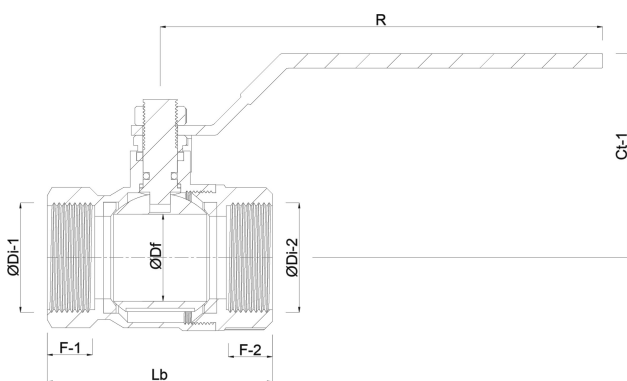
Lb 96,8 mm

R 161 mm

ØDf 47 mm

ØDi-1 2 "

ØDi-2 2 "



PRODUCT INFORMATION

With housing drain valve and frost protection.

Last modified date: 23/05/2026

Bosta UK Ltd.
Reflection House

Olding Road
Bury St. Edmunds
Suffolk
IP33 3TA
T +44 (0) 1284 716580
E enquiries@bosta.co.uk
<http://www.bosta.com>