

**Drainage reducer bush rubber  
reinforced with nylon 40 mm x  
30 mm spigot x ring seal black  
(0350395)**

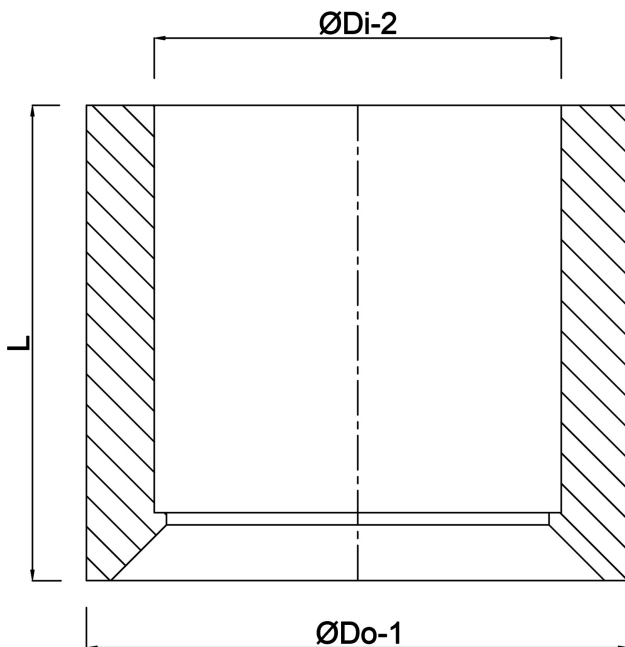


# TECHNICAL SPECIFICATIONS

Colour	black
Material	rubber reinforced with nylon
Connection	spigot x ring seal
Size	40 mm x 30 mm

## DIMENSIONS

L	24 mm
ØDi-2	30 mm
ØDo-1	40 mm



**Last modified date: 23/05/2026**

Bosta UK Ltd.  
Reflection House  
Olding Road  
Bury St. Edmunds  
Suffolk  
IP33 3TA  
T +44 (0) 1284 716580  
E [enquiries@bosta.co.uk](mailto:enquiries@bosta.co.uk)  
<http://www.bosta.com>