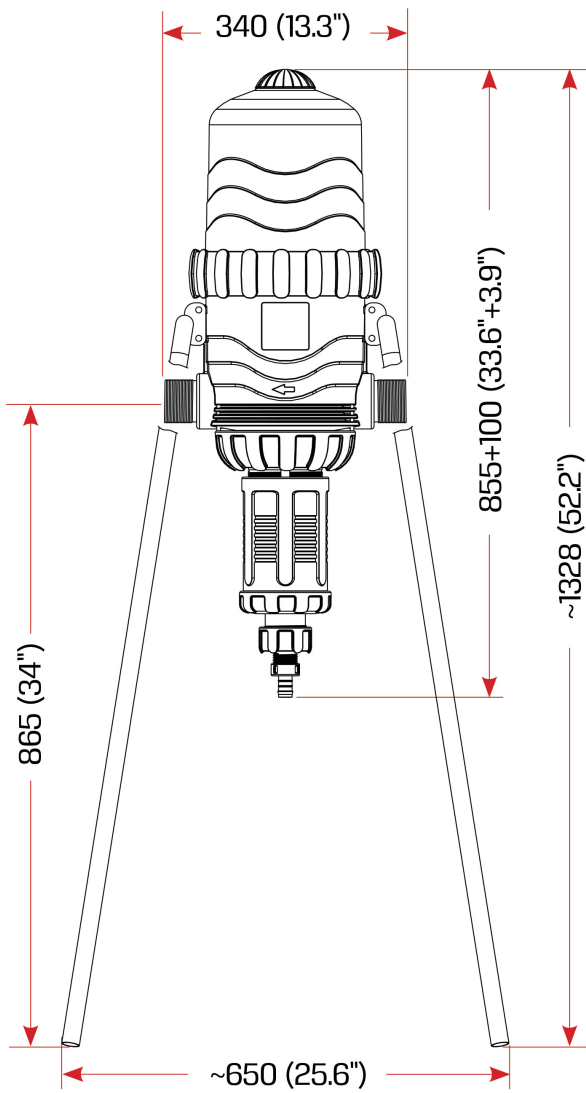


# Tefen Dosing pump 2" x 10 mm x 2" male thread x hose tail x male thread type MixRite TF 25 0.3% - 2.5% (7024298)



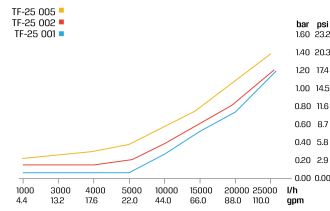
# TECHNICAL SPECIFICATIONS

Type	MixRite TF 25
Material seal	NBR
Connection	male thread x hose tail x male thread
Flow range	2000 - 25000 ltr/h
Size	2" x 10 mm x 2"
Adjustable mixture	0,3 - 2,5%
Rec. press.	1.0 - 8.0 bar

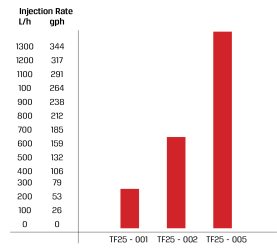


	L (Height)	
	On/Off	Air Release
Max.	1030 (40.5")	1000 (39.3")
Min.	880 (34.6")	900 (35.4")

Pressure Loss



Max. injection rate/h



## PRODUCT INFORMATION

Comes with a suction tube, mounting bracket, 4 support legs, a seal kit.  
The suction tube length is 2.5m long.

Use with fertilizer solutions and not with acids.

Refer to our chemical compatibility table in order to select the right model for your application.

**Last modified date: 03/07/2026**

Bosta UK Ltd.

Reflection House

Olding Road

Bury St. Edmunds

Suffolk

IP33 3TA

T +44 (0) 1284 716580

E [enquiries@bosta.co.uk](mailto:enquiries@bosta.co.uk)

<http://www.bosta.com>