

# Profec Ball valve brass nickel plated 1 1/2" female thread 25bar type 109 (0401573)



# TECHNICAL SPECIFICATIONS

Type	109
Material	brass
Surface treatment	nickel plated
Operation	lever
Colour lever	red
Handle material	stainless steel
Housing construction	2-part
Ball material	hard chrome plated brass
Material housing	brass
Material seal	PTFE
Connection	female thread
Flow	full
Temperature range	-20°C - 120°C
Pressure	25 bar
Size	1 1/2"

## DIMENSIONS

Ct-1 79.9 mm

F-1 17 mm

F-2 17 mm

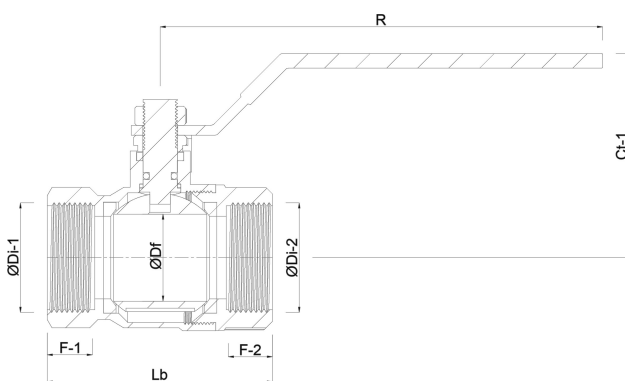
Lb 86,7 mm

R 141.3 mm

ØDf 37 mm

ØDi-1 1 1/2 "

ØDi-2 1 1/2 "



## PRODUCT INFORMATION

With housing drain valve and frost protection.

**Last modified date: 23/05/2026**

Bosta UK Ltd.  
Reflection House

Olding Road  
Bury St. Edmunds  
Suffolk  
IP33 3TA  
T +44 (0) 1284 716580  
E [enquiries@bosta.co.uk](mailto:enquiries@bosta.co.uk)  
<http://www.bosta.com>