

**DAB Pressure set
technopolymer 1 1/4" female
thread 12bar 3,4A 380VAC
black/green type ESYBOX MAX
T45/120 (7043942)**



TECHNICAL SPECIFICATIONS

Colour black/green

Material technopolymer

Pump body technopolymer

Material impeller 1 technopolymer

Max. head 80 m

Connection female thread

Max. temperature 50 °C

Minimum medium temperature 0 °C
(continuous)

Height 613 mm

Max flow rate 17.4 m³/h

Maximum ambient temperature 55 °C

Pressure 12 bar

Packaging dimensions L/W/H 400 x 380 x 800 mm

Type ESYBOX MAX T45/120

Size 1 1/4"

Voltage 380VAC

Weight 29 kg

Ampere 3,4 A

DIMENSIONS

Cb-1 87 mm

Cc-1 124.5 mm

Cl-1 131.8 mm

Cr-1 127.7 mm

H-1 384 mm

L 766 mm

Lb 228 mm

Lb-2 613 mm

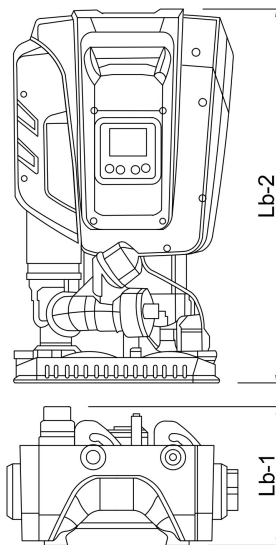
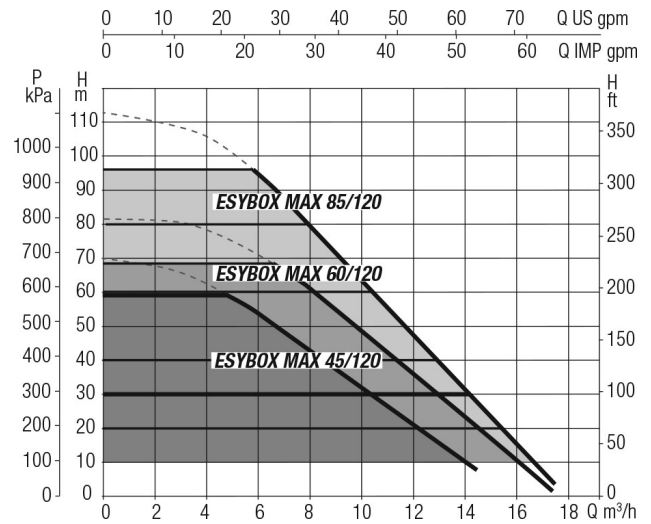
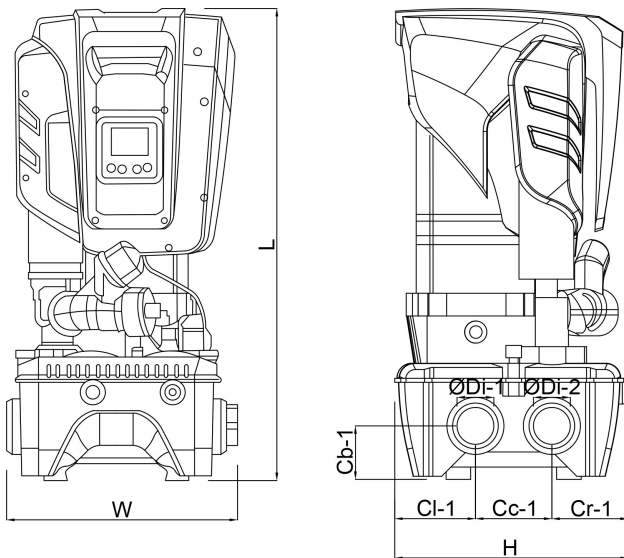
Length 384 mm

W-1 375 mm

Width 375 mm

ØDi-1 1 1/4 - 2 "

ØDi-2 1 1/4 - 2 "



PRODUCT INFORMATION

Includes a self-priming multi-stage pump, management inverter electronics, pressure and flow sensors, adjustable high resolution LCD display with 2 litre built-in expansion vessel, and cartridge check valve.

- Pressure set point adjustable from 1 to 12 bar

- Max. inlet pressure: 5 bar
- Installation: fixed vertical position, a 4 pump modular system is available with the additional kit to connect the ESYDOCKS.
- Docking station not included and is required for operation.

Last modified date: 26/05/2026

Bosta UK Ltd.
Reflection House
Olding Road
Bury St. Edmunds
Suffolk
IP33 3TA
T +44 (0) 1284 716580
E enquiries@bosta.co.uk
<http://www.bosta.com>