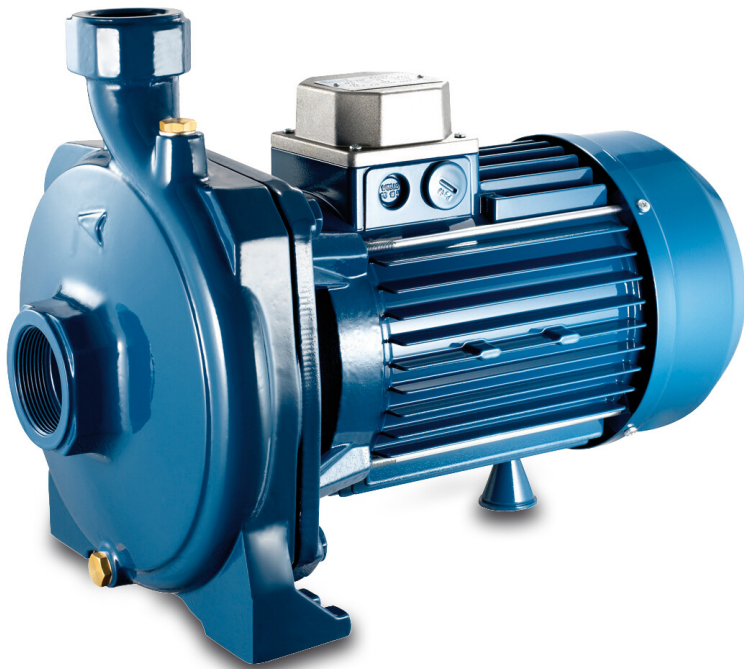


**Foras Centrifugal pump cast
iron 2" x 1 1/4" female thread
8bar 6,8A 400/690VAC blue
type KM 400/1 T (0920264)**



TECHNICAL SPECIFICATIONS

Colour blue

Material cast iron

Material impeller 1 brass

Connection female thread

Seal type C

Length 425 mm

Voltage 230/400VAC

Max. temperature 90 °C

Width 250 mm

Minimum medium temperature 0 °C
(continuous)

Height 323 mm

Press 1 1/4 "

Maximum ambient temperature 40 °C

Suction 2 "

Minimum ambient temperature 0 °C

Type KM 400/1 T

Output Power 4 HP

Max. head 45,1 m

Size 2" x 1 1/4"

Power 3 kW

Max flow rate 18 m³/h

BEP Capacity 16.5

BEP Head 37.5

Efficiency 55 %

DIMENSIONS

Cb-1 133 mm

Cr-1 54 mm

G-1 190 mm

H 323 mm

H 323 mm

L 425 mm

Lb 108 mm

W-1 240 mm

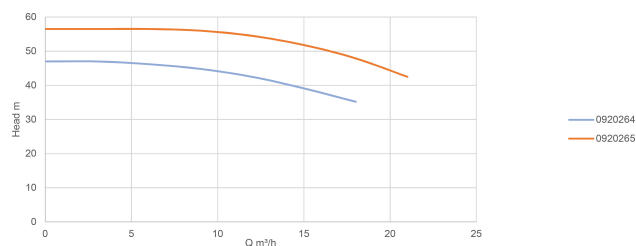
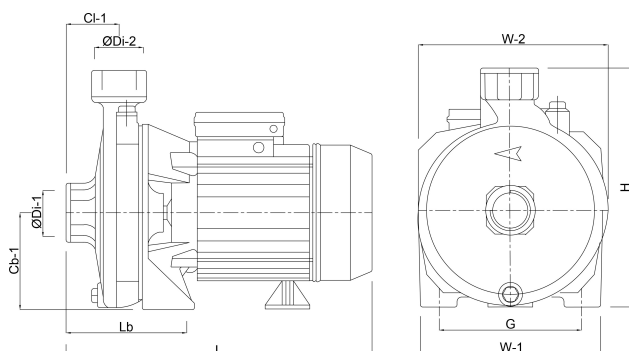
W-2 250 mm

ØDi-1

2 "

ØDi-2

1 1/4 "



PRODUCT INFORMATION

Mechanical seal.

Oversized self-lubricating bearings.

Sealed motor with external cooling.

Electrical winding Class F Condenser - thermo - amperometric safety (only in mono).

The maximum water temperature is 90°C.

Last modified date: 10/07/2026

Bosta UK Ltd.

Reflection House

Olding Road

Bury St. Edmunds

Suffolk

IP33 3TA

T +44 (0) 1284 716580

E enquiries@bosta.co.uk

<http://www.bosta.com>