

**Profec Butterfly valve PVC-U
110 mm flange 10bar DN100
grey PN6/10 type 7000
(0111416)**



TECHNICAL SPECIFICATIONS

Colour	grey
Type	7000
Material	PVC-U
Operation	lever
Colour lever	blue
Handle material	aluminium
Material valve	PVC-U
Shaft	stainless steel 316
Material spindle	PVC
Material housing	PVC-U
Material seal	EPDM
Connection	flange
Fire-safe	No
Flange	PN6/10
Temperature range	10°C - 60°C
Size	110 mm
DN	100

Height 60 mm

Pressure 10 bar

Bolt hole 18 mm

Holes 8

DIMENSIONS

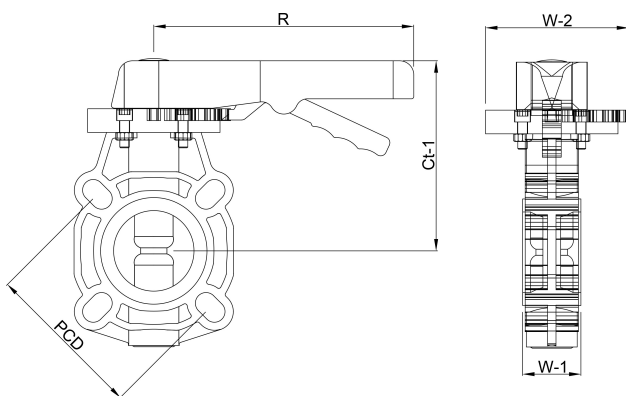
Ct-1 186 mm

PCD 180/190 mm

R 263 mm

W-1 60 mm

W-2 104 mm



PRODUCT INFORMATION

According to ISO/DIN.

Last modified date: 23/05/2026

Bosta UK Ltd.
Reflection House
Olding Road
Bury St. Edmunds
Suffolk
IP33 3TA
T +44 (0) 1284 716580
E enquiries@bosta.co.uk
<http://www.bosta.com>