

**VIR Ball valve brass chrome plated 1/4" female thread x male thread 40bar WRAS/VA type K343 (0401408)**



# TECHNICAL SPECIFICATIONS

Type	K343
Material	brass
Surface treatment	chrome plated
Approval	WRAS/VA
Operation	lever
Colour lever	red
Handle material	dacromet steel
Housing construction	2-part
Ball material	hard chrome plated brass
Material housing	brass
Material seal	PTFE
Connection	female thread x male thread
Flow	full
Temperature range	0°C - 150°C
Pressure	40 bar
Size	1/4"

# DIMENSIONS

Ct-1 41 mm

F-1 9 mm

F-2 10 mm

Handle height 41

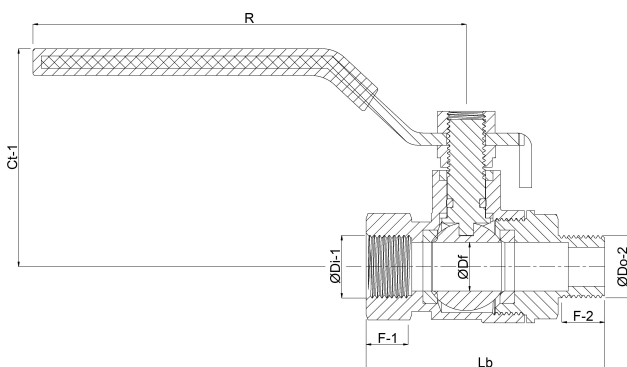
Lb 47 mm

R 81 mm

ØDf 10 mm

ØDi-1 1/4 "

ØDo-2 1/4 "



**Last modified date: 23/05/2026**

Bosta UK Ltd.  
Reflection House  
Olding Road

Bury St. Edmunds  
Suffolk  
IP33 3TA  
T +44 (0) 1284 716580  
E [enquiries@bosta.co.uk](mailto:enquiries@bosta.co.uk)  
<http://www.bosta.com>