

**VIR Ball valve brass chrome
plated 2 1/2" female thread
25bar WRAS/VA type 340R
(0470310)**

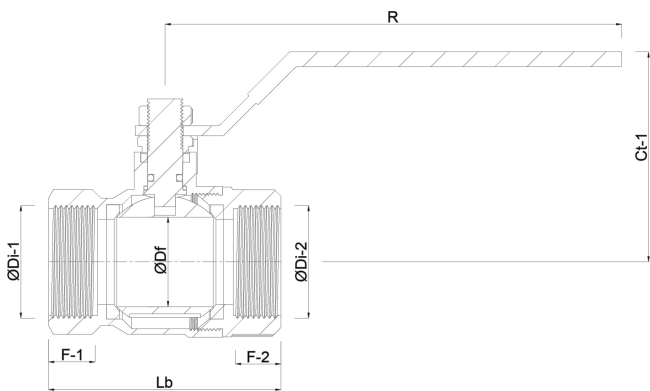


TECHNICAL SPECIFICATIONS

Type	340R
Material	brass
Surface treatment	chrome plated
Approval	WRAS/VA
Operation	lever
Colour lever	red
Handle material	dacromet steel
Housing construction	2-part
Ball material	hard chrome plated brass
Material housing	brass
Material seal	PTFE
Connection	female thread
Max. temperature	150 °C
Minimum medium temperature (continuous)	0 °C
Flow	full
Temperature range	0°C - 150°C

Size 2 1/2"

Pressure 25 bar



Last modified date: 02/10/2025

Bosta UK Ltd.
Reflection House
Olding Road
Bury St. Edmunds
Suffolk
IP33 3TA
T +44 (0) 1284 716580
E enquiries@bosta.co.uk
<http://www.bosta.com>