

**Backing ring PVC-U 160 mm x  
6" 16bar DN150 grey PN10/16  
(0160929)**



# TECHNICAL SPECIFICATIONS

Colour grey

Material PVC-U

Pressure 16 bar

Holes 8

Suitable for 0160909

Size 160 mm x 6"

Packaging 14 pcs

DN 150

Inner ø 193 mm

Flange PN10/16

Outer ø 285 mm

Thickness 28 mm

Bolt hole 22 mm

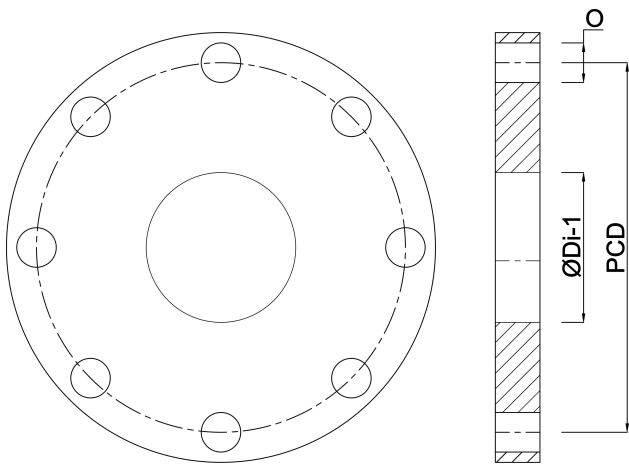
# DIMENSIONS

O 22 mm

PCD 250 mm

ØDi-1

193 mm



**Last modified date: 23/05/2026**

Bosta UK Ltd.  
Reflection House  
Olding Road  
Bury St. Edmunds  
Suffolk  
IP33 3TA  
T +44 (0) 1284 716580  
E [enquiries@bosta.co.uk](mailto:enquiries@bosta.co.uk)  
<http://www.bosta.com>