

**Flange PP DN50 x 2" DIN flange
x female thread 10bar DN50
black PN10/16 type reinforced
(0707205)**



TECHNICAL SPECIFICATIONS

Colour	black
Type	reinforced
Material	PP
Material seal	rubber reinforced with nylon
Connection	DIN flange x female thread
Flange	PN10/16
Thickness	18 mm
Bolt hole	18 mm
Size	DN50 x 2"
Packaging	90 pcs
DN	50
Outer ø	165 mm
Pressure	10 bar
Holes	4

DIMENSIONS

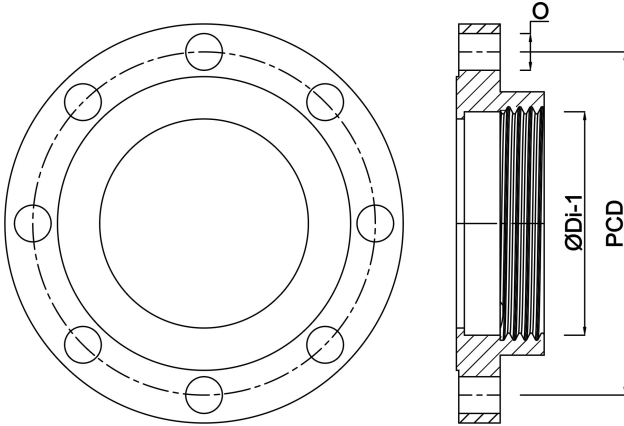
O	18 mm
---	-------

PCD

125 mm

ØDi-1

2"



Last modified date: 24/05/2026

Bosta UK Ltd.
Reflection House
Olding Road
Bury St. Edmunds
Suffolk
IP33 3TA
T +44 (0) 1284 716580
E enquiries@bosta.co.uk
<http://www.bosta.com>