

**DAB Submersible pump
stainless steel 304 2" female
thread 5,13A 230VAC stainless
steel type Feka VS 750 M-A
with float switch (7030950)**



TECHNICAL SPECIFICATIONS

Colour stainless steel

Material stainless steel 304

Pump body stainless steel 304

Material impeller 1 stainless steel 304

Connection female thread

Max. temperature 50 °C

Minimum medium temperature 0 °C
(continuous)

Press 2 "

Maximum ambient temperature 40 °C

Minimum ambient temperature 0 °C

Type Feka VS 750 M-A

Output Power 1 HP

Max. head 9,6 m

Size 2"

Float included

Voltage 230VAC

Power	0.75 kW
-------	---------

Ampere	5,13 A
--------	--------

Max flow rate	24 m ³ /h
---------------	----------------------

BEP Capacity	16.1
--------------	------

BEP Head	5.13
----------	------

PORlh	6.8
-------	-----

PORhh	3.77
-------	------

PORlq	11.27
-------	-------

PORhq	19.32
-------	-------

DIMENSIONS

Cb-1	98 mm
------	-------

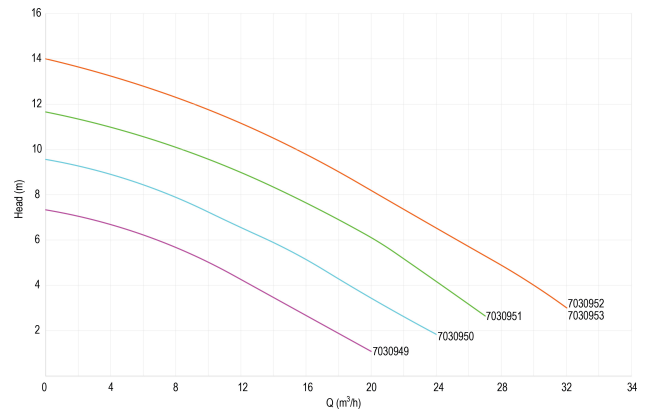
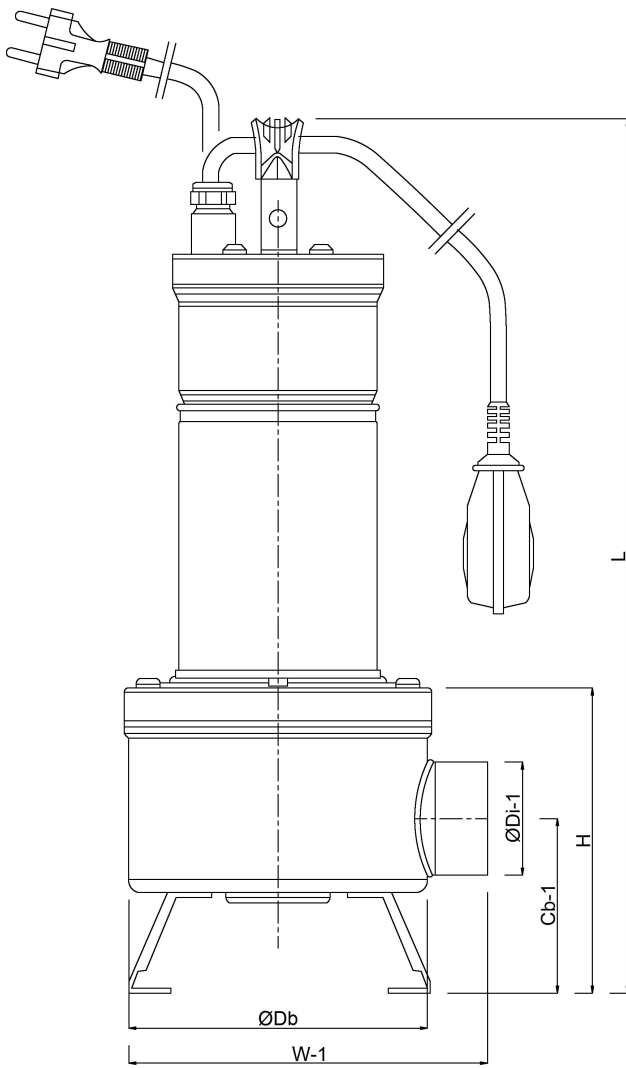
Db	170 mm
----	--------

H	172 mm
---	--------

L	492 mm
---	--------

W-1	203 mm
-----	--------

ØDi-1	2 "
-------	-----



PRODUCT INFORMATION

Power cable: 10 metre H07RN-F, with plug for the single-phase version.

Installation: fixed or portable, vertical position.

Maximum immersion depth: 7 metre

Suitable for residential waste water as sewage containing solid matter with size up to 50 mm.

Last modified date: 26/05/2026

Bosta UK Ltd.
Reflection House
Olding Road
Bury St. Edmunds
Suffolk
IP33 3TA
T +44 (0) 1284 716580
E enquiries@bosta.co.uk
<http://www.bosta.com>