

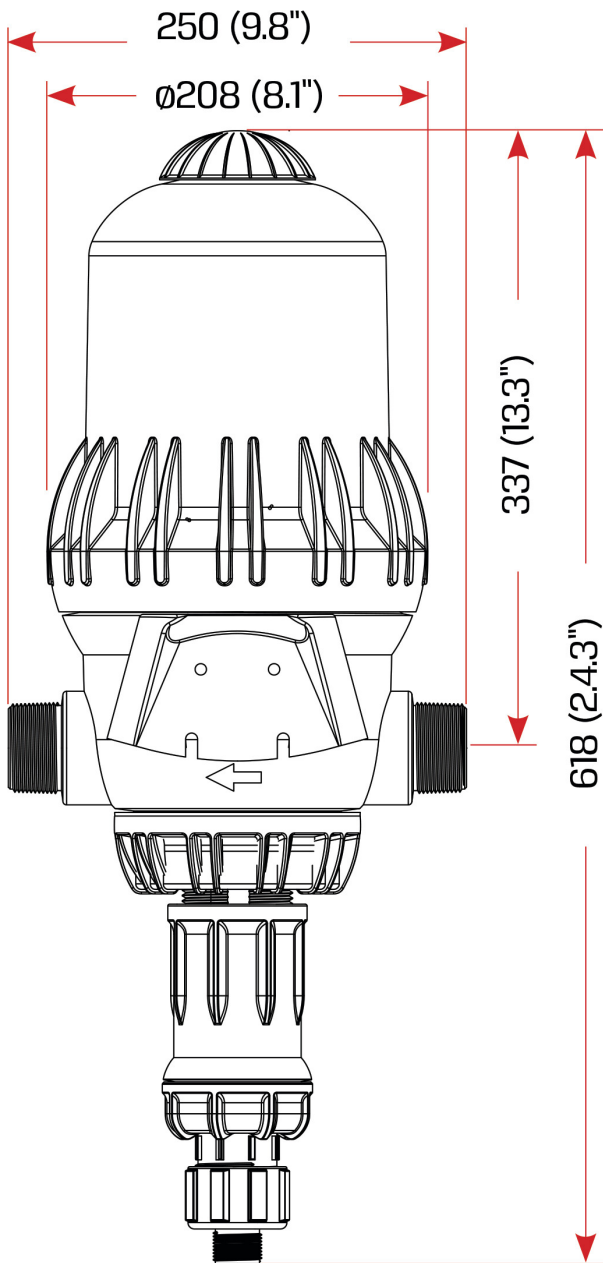
# Tefen Dosing pump 1 1/2" x 16 mm x 1 1/2" male thread x hose tail x male thread type MixRite TF10 1.0% - 5% (7024297)



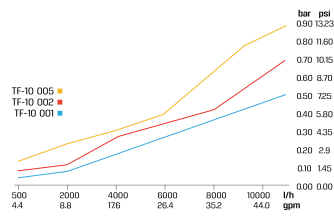
 **TEFEN**  
FLOW & DOSING TECHNOLOGIES

# TECHNICAL SPECIFICATIONS

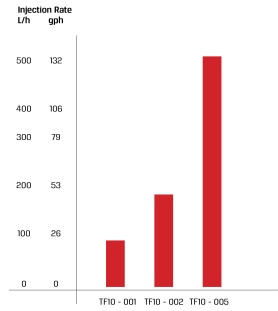
Type	MixRite TF10
Material seal	NBR
Connection	male thread x hose tail x male thread
Flow range	50 - 10000 ltr/h
Size	1 1/2" x 16 mm x 1 1/2"
Adjustable mixture	1,0 - 5%
Rec. press.	1.0 - 8.0 bar



Pressure Loss



Max. injection rate/h



		L (Height)	
		On/Off	Air Release
Max.		760 (29.9")	660 (26")
Min.		720 (28.34")	625 (24.6")

# PRODUCT INFORMATION

Comes with a suction tube, mounting bracket and a seal kit.

The suction tube length is 1.5m. long.

Use with fertilizer solutions and not with acids.

Refer to our chemical compatibility table in order to select the right model for your application

**Last modified date: 26/05/2026**

Bosta UK Ltd.

Reflection House

Olding Road

Bury St. Edmunds

Suffolk

IP33 3TA

T +44 (0) 1284 716580

E [enquiries@bosta.co.uk](mailto:enquiries@bosta.co.uk)

<http://www.bosta.com>