

**3-way ball valve T-bore PVC-U
20 mm glue socket 10bar DN15
grey type T-bore side
connection (0111519)**



TECHNICAL SPECIFICATIONS

Colour grey

Type T-bore

Material PVC-U

Operation lever

Colour lever red

Handle material PVC-U

Material housing PVC-U

Material seal PTFE/EPDM

Ball bore T-bore

Connection type side connection

Connection glue socket

Temperature range 0°C - 60°C

Pressure 10 bar

Shaft PVC-U

Size 20 mm

DN 15

DIMENSIONS

Lb 112 mm

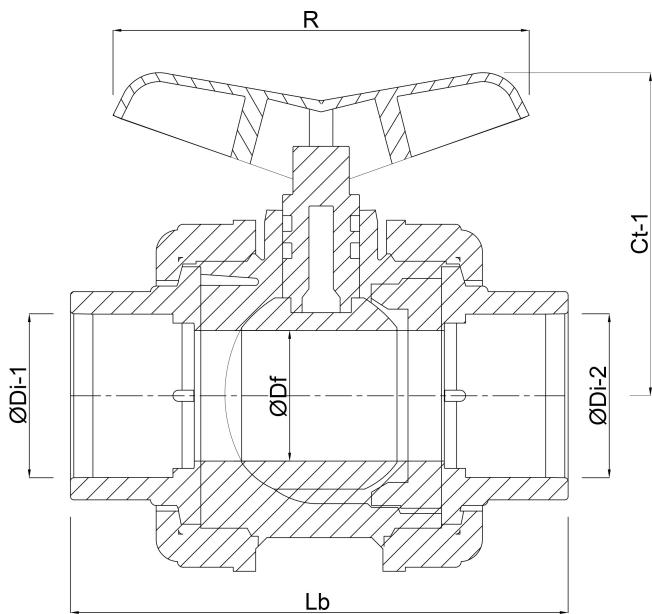
ØDi-1 20 mm

ØDi-2 20 mm

Ct-1 57 mm

R 85 mm

ØDf 15 mm



Last modified date: 01/10/2025

Bosta UK Ltd.
Reflection House
Olding Road

Bury St. Edmunds
Suffolk
IP33 3TA
T +44 (0) 1284 716580
E enquiries@bosta.co.uk
<http://www.bosta.com>