

Welding bend 90° steel 21,3 mm x 21,3 mm x 2,0 mm butt welding (1180012)



TECHNICAL SPECIFICATIONS

Material steel

Connection butt welding

DIN Standard DIN 2605

Norm 3S

Size 21,3 mm

Wall thickness 2,0 mm

DIMENSIONS

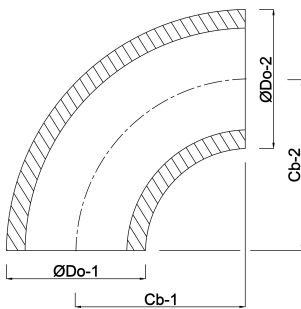
Cb-1 28 mm

Cb-2 28 mm

ØDo-1 21.3 mm

ØDo-2 21.3 mm

β 90 °



Last modified date: 14/03/2026

Bosta UK Ltd.
Reflection House
Olding Road
Bury St. Edmunds
Suffolk
IP33 3TA
T +44 (0) 1284 716580
E enquiries@bosta.co.uk
<http://www.bosta.com>