

# Profec Ball valve PP 50 mm compression 10bar DN40 black type Safe 500 (0707354)



# TECHNICAL SPECIFICATIONS

Colour black

Type Safe 500

Material PP

Operation lever

Colour lever red

Handle material PVC-U

Housing construction 3-part

Material housing PP

Material seal hytrel/EPDM

Connection compression

Max. temperature 60 °C

Minimum medium temperature 0 °C  
(continuous)

Pressure 10 bar

Size 50 mm

DN 40

# DIMENSIONS

Ct-1 92 mm

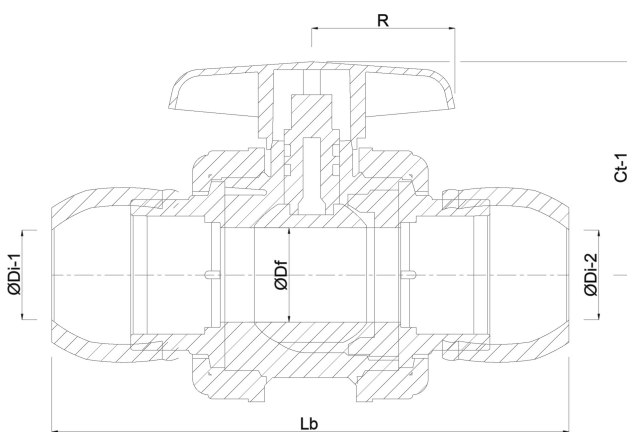
Lb 267 mm

R 64 mm

ØDf 40 mm

ØDi-1 50 mm

ØDi-2 50 mm



## PRODUCT INFORMATION

With secure ball.

**Last modified date: 24/05/2026**

Bosta UK Ltd.  
Reflection House  
Olding Road  
Bury St. Edmunds  
Suffolk  
IP33 3TA  
T +44 (0) 1284 716580  
E [enquiries@bosta.co.uk](mailto:enquiries@bosta.co.uk)  
<http://www.bosta.com>