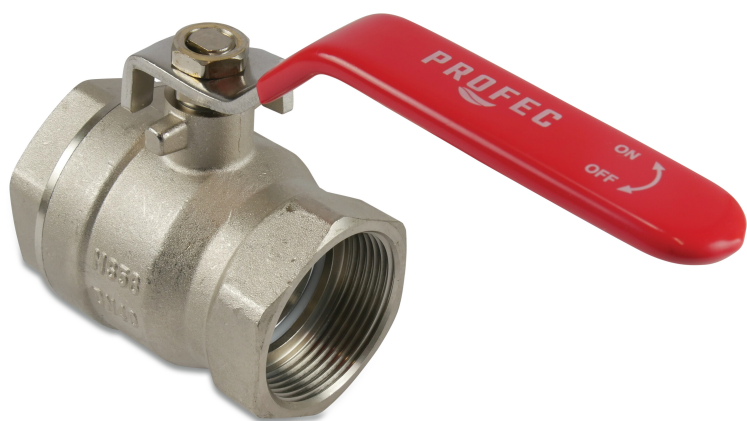


Profec Ball valve brass nickel plated 3/4" female thread 25bar type 100 VA (0403033)



TECHNICAL SPECIFICATIONS

Type 100 VA

Material brass

Surface treatment nickel plated

Operation lever

Colour lever red

Handle material stainless steel

Ball material hard chrome plated brass

Material housing brass

Material seal PTFE

Connection female thread

Temperature range 0°C - 100°C

Pressure 25 bar

Size 3/4"

DIMENSIONS

Lb 54 mm

ØDi-1 3/4 "

ØDi-2 3/4 "

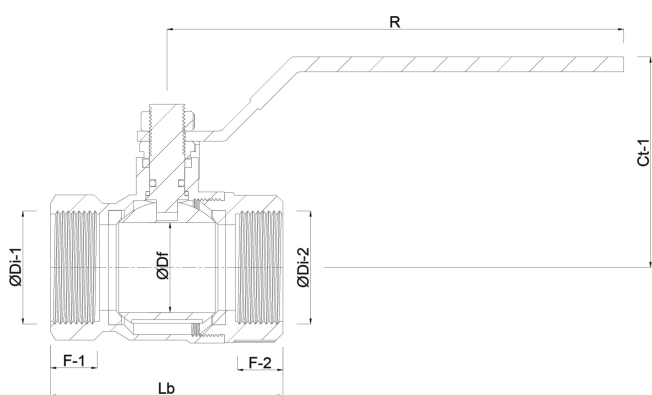
F-1 12 mm

F-2 12 mm

Ct-1 48.6 mm

R 98.5 mm

ØDf 19 mm



Last modified date: 01/10/2025

Bosta UK Ltd.
Reflection House
Olding Road
Bury St. Edmunds
Suffolk
IP33 3TA
T +44 (0) 1284 716580
E enquiries@bosta.co.uk
<http://www.bosta.com>