

Profec Ball valve bronze 1/2" female thread 16bar type 160 (0400276)



TECHNICAL SPECIFICATIONS

Type	160
Material	bronze
Operation	lever
Colour lever	blue
Handle material	steel
Ball material	hard chrome plated brass
Material housing	bronze
Material seal	PTFE
Connection	female thread
Max. temperature	150 °C
Pressure	16 bar
Size	1/2"

DIMENSIONS

Lb	48 mm
ØDi-1	1/2 "
ØDi-2	1/2 "

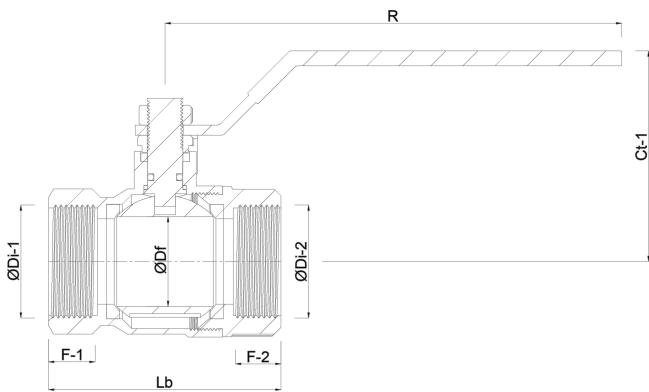
F-1 13.5 mm

F-2 13.5 mm

Ct-1 50 mm

R 98 mm

ØDf 15 mm



Last modified date: 02/10/2025

Bosta UK Ltd.
Reflection House
Olding Road
Bury St. Edmunds
Suffolk
IP33 3TA
T +44 (0) 1284 716580
E enquiries@bosta.co.uk
<http://www.bosta.com>