

Backing ring steel galvanised 140 mm x 5" type round (0200662)



TECHNICAL SPECIFICATIONS

Type round

Material steel

Surface treatment galvanised

Thickness 8 mm

Bolt hole 13 mm

Holes 4

Size 140 mm x 5"

Inner ø 166 mm

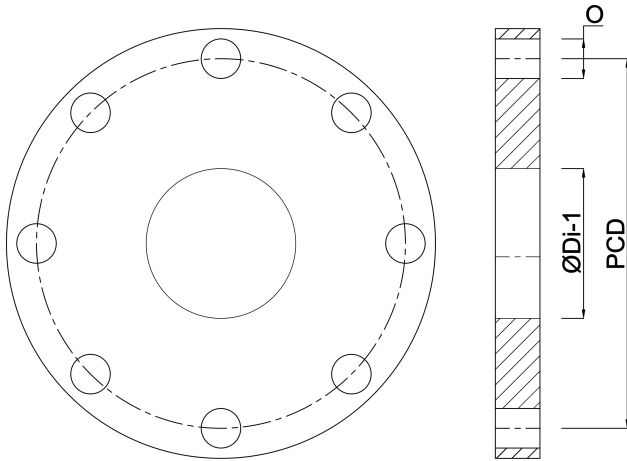
Outer ø 245 mm

DIMENSIONS

O 13 mm

PCD 212 mm

ØDi-1 166 mm



PRODUCT INFORMATION

Enhance your industrial operations with this Round Backing Flange. Precision-crafted for seamless compatibility, it delivers leak-proof connections, reducing downtime and expenses. Rigorously tested for reliability, it ensures consistent performance even in demanding environments. Reduce disruptions, amplify efficiency, and save on maintenance costs. Trusted by industry leaders, this flange optimizes performance across diverse applications.

Last modified date: 25/05/2026

Bosta UK Ltd.
Reflection House
Olding Road
Bury St. Edmunds
Suffolk
IP33 3TA
T +44 (0) 1284 716580
E enquiries@bosta.co.uk
<http://www.bosta.com>