

**Profec Ball valve PVC-U 4"  
female thread 10bar DN80  
grey type Safe 625 (0112118)**



# TECHNICAL SPECIFICATIONS

Colour grey

Type Safe 625

Material PVC-U

Operation lever

Colour lever red

Handle material PVC-U

Housing construction 3-part

Material housing PVC-U

Material seal hytrel/EPDM

Connection female thread

Max. temperature 60 °C

Minimum medium temperature 0 °C  
(continuous)

Size 4"

DN 80

Pressure 10 bar

# DIMENSIONS

Ct-1 148 mm

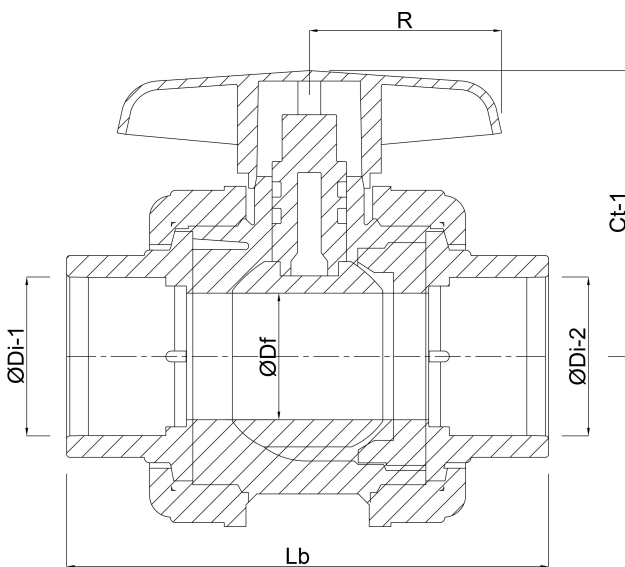
Lb 230 mm

R 123 mm

ØDf 80 mm

ØDi-1 4 "

ØDi-2 4 "



# PRODUCT INFORMATION

With secure ball.

**Last modified date: 23/05/2026**

Bosta UK Ltd.  
Reflection House  
Olding Road  
Bury St. Edmunds  
Suffolk  
IP33 3TA  
T +44 (0) 1284 716580  
E [enquiries@bosta.co.uk](mailto:enquiries@bosta.co.uk)  
<http://www.bosta.com>