

**Profec Blind flange PVC-U
DN80 x 90 mm DIN flange
16bar DN80 grey PN10/16
(0111026)**



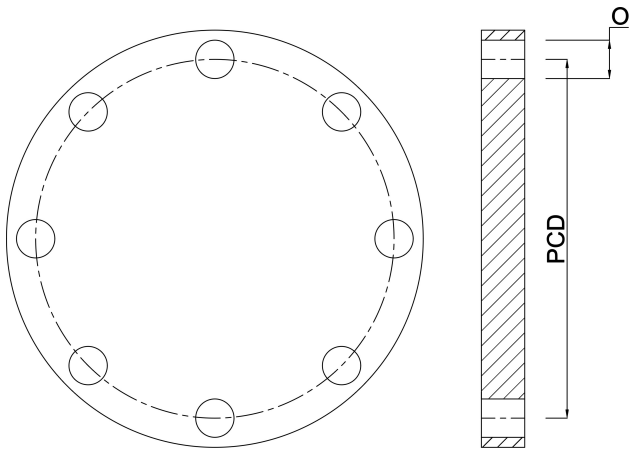
TECHNICAL SPECIFICATIONS

| | |
|-------------|--------------|
| Colour | grey |
| Material | PVC-U |
| Connection | DIN flange |
| Size | DN80 x 90 mm |
| Bolt | M16 |
| Packaging | 24 pcs |
| DN | 80 |
| Flange | PN10/16 |
| Outer ø | 200 mm |
| Weight | 0.57 kg |
| Length bolt | 90 mm |
| Thickness | 20 mm |
| Pressure | 16 bar |
| Bolt hole | 18 mm |
| Holes | 8 |

DIMENSIONS

O 18 mm

PCD 160 mm



PRODUCT INFORMATION

For PCD, bolt hole size and number see Technical specifications "How to identify a flange" at the back of the catalogue (PCD equals K)

Last modified date: 23/05/2026

Bosta UK Ltd.
Reflection House
Olding Road
Bury St. Edmunds
Suffolk
IP33 3TA
T +44 (0) 1284 716580
E enquiries@bosta.co.uk
<http://www.bosta.com>