

**Drainage reducer T-piece 45°
PVC-U 250 mm x 125 mm x 250
mm SN4 ring seal grey
KOMO/BENOR (0360280)**

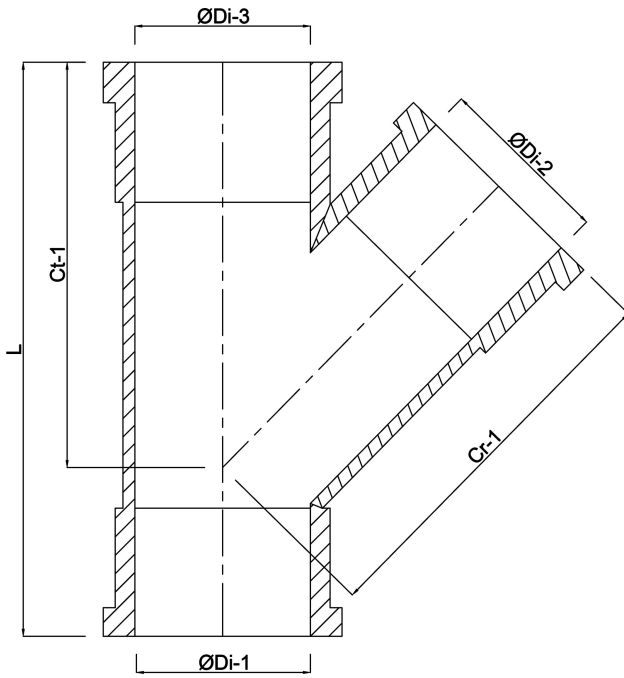


TECHNICAL SPECIFICATIONS

| | |
|------------|--------------------------|
| Colour | grey |
| Material | PVC-U |
| Approval | KOMO/BENOR |
| Connection | ring seal |
| Size | 250 mm x 125 mm x 250 mm |
| SN | SN4 |

DIMENSIONS

| | |
|-------|--------|
| Cr-1 | 320 mm |
| Ct-1 | 385 mm |
| L | 530 mm |
| ØDi-1 | 250 mm |
| ØDi-2 | 125 mm |
| ØDi-3 | 250 mm |
| β | 45 ° |



Last modified date: 23/05/2026

Bosta UK Ltd.
Reflection House
Olding Road
Bury St. Edmunds
Suffolk
IP33 3TA
T +44 (0) 1284 716580
E enquiries@bosta.co.uk
<http://www.bosta.com>