

Profec Ball valve brass nickel plated 1/2" female thread 25bar type 108 (0401375)



TECHNICAL SPECIFICATIONS

Type	108
Material	brass
Surface treatment	nickel plated
Operation	lever
Colour lever	red
Handle material	steel
Housing construction	2-part
Ball material	hard chrome plated brass
Material housing	brass
Material seal	PTFE
Connection	female thread
Flow	full
Temperature range	-20°C - 120°C
Pressure	25 bar
Size	1/2"

DIMENSIONS

Ct-1 48.5 mm

F-1 12 mm

F-2 12 mm

Handle height 53

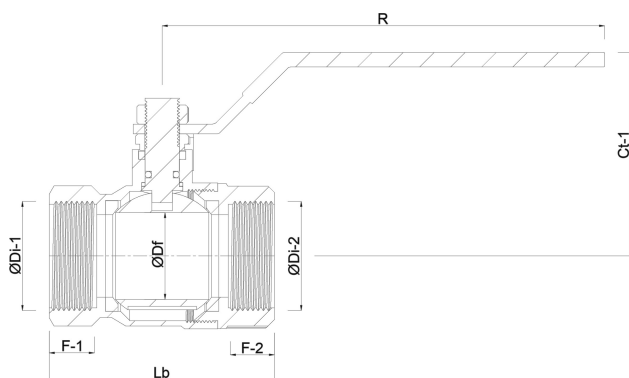
Lb 54 mm

R 96 mm

ØDf 15 mm

ØDi-1 1/2 "

ØDi-2 1/2 "



PRODUCT INFORMATION

With drain valve.

Last modified date: 23/05/2026

Bosta UK Ltd.
Reflection House
Olding Road
Bury St. Edmunds
Suffolk
IP33 3TA
T +44 (0) 1284 716580
E enquiries@bosta.co.uk
<http://www.bosta.com>