

# Profec Ball valve PVC-U 75 mm glue socket 10bar DN65 grey type 2000 (0111382)



# TECHNICAL SPECIFICATIONS

Colour grey

Type 2000

Material PVC-U

Operation lever

Colour lever red

Handle material PVC-U

Housing construction 3-part

Material housing PVC-U

Material seal PE/EPDM

Connection glue socket

Temperature range 10°C - 60°C

Size 75 mm

DN 65

Pressure 10 bar

## DIMENSIONS

Lb 232 mm

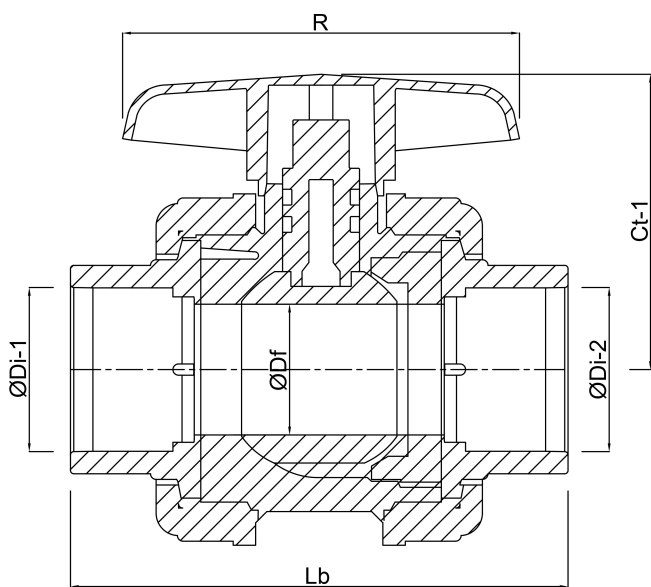
ØDi-1 75 mm

ØDi-2 75 mm

Ct-1 149 mm

R 184 mm

ØDf 65 mm



**Last modified date: 01/10/2025**

Bosta UK Ltd.  
Reflection House  
Olding Road  
Bury St. Edmunds  
Suffolk  
IP33 3TA  
T +44 (0) 1284 716580  
E [enquiries@bosta.co.uk](mailto:enquiries@bosta.co.uk)  
<http://www.bosta.com>