

**Itap Ball valve brass nickel
plated 3/8" female thread x
male thread 5bar DN10 DVGW
type 067 (0401161)**



TECHNICAL SPECIFICATIONS

Type	067
Material	brass
Surface treatment	nickel plated
Approval	DVGW
Operation	lever
Colour lever	yellow
Handle material	steel
Housing construction	2-part
Ball material	hard chrome plated brass
Material housing	brass
Material seal	PTFE
Connection	female thread x male thread
Max. temperature	60 °C
Minimum medium temperature -10 °C (continuous)	
Flow	full
Pressure	5 bar

Size 3/8"

DN 10

DIMENSIONS

Ct-1 37.3 mm

F-1 11.4 mm

F-2 11.5 mm

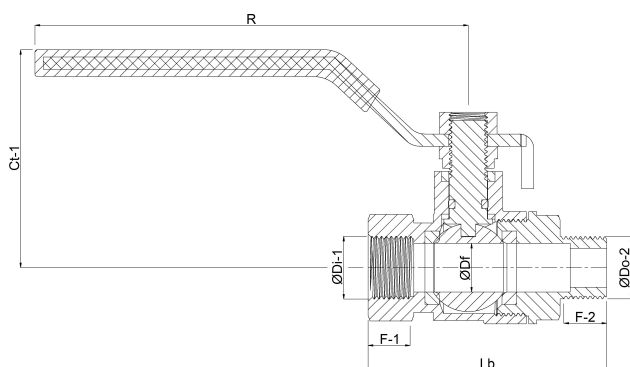
Lb 58,9 mm

R 80 mm

ØDf 10 mm

ØDi-1 3/8 "

ØDo-2 3/8 "



Last modified date: 23/05/2026

Bosta UK Ltd.
Reflection House
Olding Road
Bury St. Edmunds
Suffolk
IP33 3TA
T +44 (0) 1284 716580
E enquiries@bosta.co.uk
<http://www.bosta.com>