

DAB Submersible pump technopolymer 1" female thread 4,8A 230VAC black type Eurocover (7033860)



TECHNICAL SPECIFICATIONS

Colour black

Type Eurocover

Material technopolymer

Output Power 0,3 HP

Pump body technopolymer

Material impeller 1 technopolymer

Max. head 6,5 m

Connection female thread

Float included

Voltage 230VAC

Max. temperature 35 °C

Minimum medium temperature 0 °C
(continuous)

Power 0.22 kW

Ampere 4,8 A

Max flow rate 6 m³/h

Press 1 "

Size	1"
------	----

BEP Capacity	4.25
--------------	------

BEP Head	19
----------	----

PORlh	22.8
-------	------

PORhh	13.3
-------	------

PORlq	2.975
-------	-------

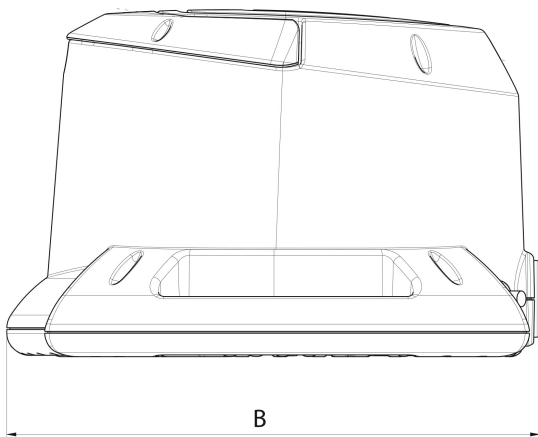
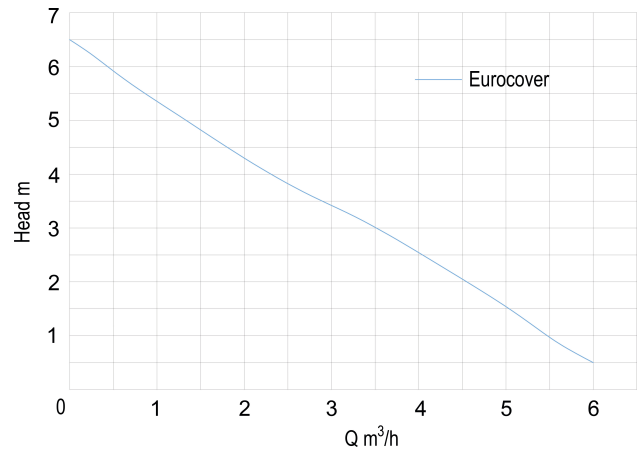
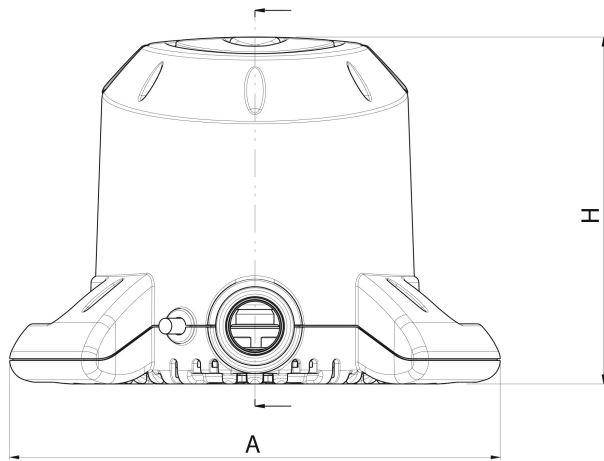
PORhq	5.1
-------	-----

DIMENSIONS

A	280.2 mm
---	----------

B	304.4 mm
---	----------

H	198.1 mm
---	----------



PRODUCT INFORMATION

Fully automatic electric submersible pump with wide support base for greater stability. This also gives the option of running the pump in positions that are not be perpendicular to the ground. Suitable for use above tarpaulins and (pool) covers to pump out rainwater, thus preventing the cover from breaking due to the weight of the collected water. If necessary, the Eurocover can serve as an emergency submersible pump for emptying and/or drainage in case of emergency. Electric pump made of sturdy thermoplastic material. Motor, shaft and screws made of stainless steel. Triple seal with intermediate rings with oil pre-chamber. Built-in float for automatic operation. The float is installed in separate housing that is easily accessible for maintenance/cleaning.

Last modified date: 27/05/2026

Bosta UK Ltd.
Reflection House
Olding Road
Bury St. Edmunds
Suffolk
IP33 3TA
T +44 (0) 1284 716580
E enquiries@bosta.co.uk
<http://www.bosta.com>