

**Ball valve PVC-U 3/4" female  
thread 10bar DN20 grey type  
AK (0161511)**



# TECHNICAL SPECIFICATIONS

Colour grey

Type AK

Material PVC-U

Operation lever

Colour lever red

Handle material PVC-U

Housing construction 3-part

Material housing PVC-U

Material seal PE/EPDM

Connection female thread

Max. temperature 60 °C

Minimum medium temperature 0 °C  
(continuous)

Pressure 10 bar

Size 3/4"

DN 20

# DIMENSIONS

Ct-1 65 mm

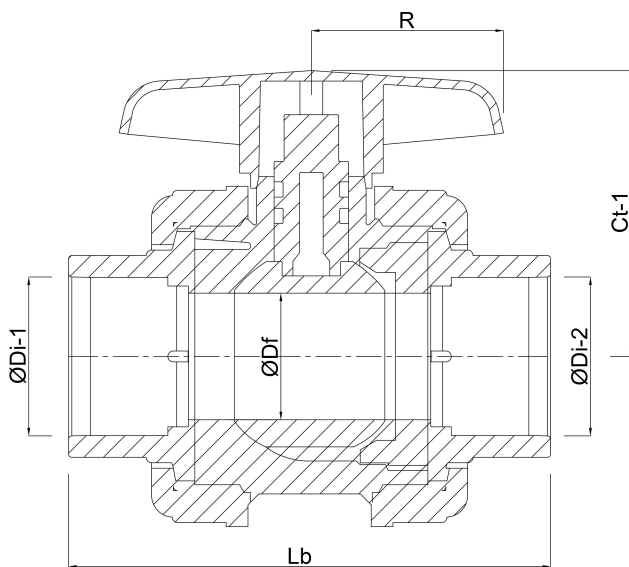
Lb 111 mm

R 45 mm

ØDf 20 mm

ØDi-1 3/4 "

ØDi-2 3/4 "



**Last modified date: 23/05/2026**

Bosta UK Ltd.  
Reflection House  
Olding Road  
Bury St. Edmunds  
Suffolk

IP33 3TA  
T +44 (0) 1284 716580  
E [enquiries@bosta.co.uk](mailto:enquiries@bosta.co.uk)  
<http://www.bosta.com>