

**Drainage reducer T-piece 45°  
PVC-U 200 mm x 125 mm x 200  
mm SN4 ring seal grey  
KOMO/BENOR (0360278)**

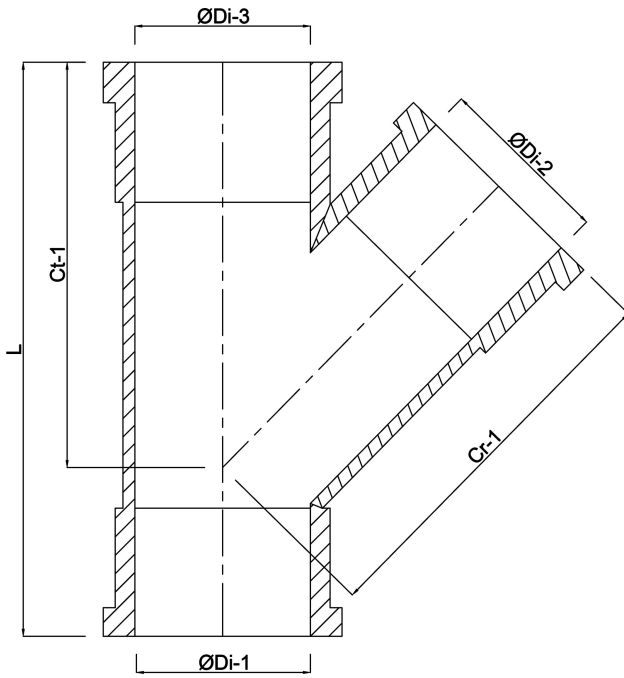


# TECHNICAL SPECIFICATIONS

|            |                          |
|------------|--------------------------|
| Colour     | grey                     |
| Material   | PVC-U                    |
| Approval   | KOMO/BENOR               |
| Connection | ring seal                |
| Size       | 200 mm x 125 mm x 200 mm |
| SN         | SN4                      |

## DIMENSIONS

|       |        |
|-------|--------|
| Cr-1  | 250 mm |
| Ct-1  | 270 mm |
| L     | 345 mm |
| ØDi-1 | 200 mm |
| ØDi-2 | 125 mm |
| ØDi-3 | 200 mm |
| β     | 45 °   |



**Last modified date: 23/05/2026**

Bosta UK Ltd.  
Reflection House  
Olding Road  
Bury St. Edmunds  
Suffolk  
IP33 3TA  
T +44 (0) 1284 716580  
E [enquiries@bosta.co.uk](mailto:enquiries@bosta.co.uk)  
<http://www.bosta.com>