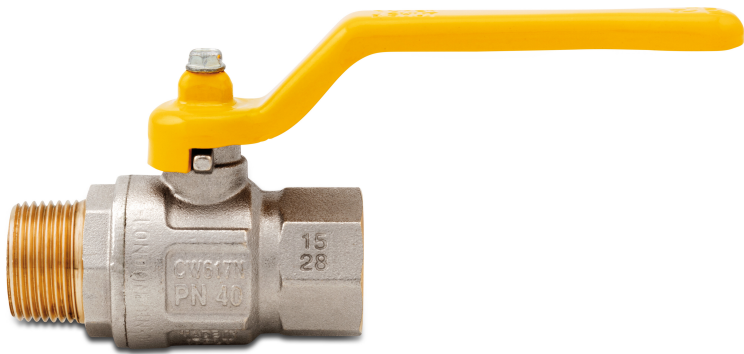


**Itap Ball valve brass nickel
plated 1" female thread x male
thread 5bar DN25 DVGW type
067 (0401164)**



TECHNICAL SPECIFICATIONS

Type	067
Material	brass
Surface treatment	nickel plated
Approval	DVGW
Operation	lever
Colour lever	yellow
Handle material	steel
Housing construction	2-part
Ball material	hard chrome plated brass
Material housing	brass
Material seal	PTFE
Connection	female thread x male thread
Max. temperature	60 °C
Minimum medium temperature (continuous)	-10 °C
Flow	full
Pressure	5 bar

Size 1"

DN 25

DIMENSIONS

Ct-1 58.8 mm

F-1 19.1 mm

F-2 19 mm

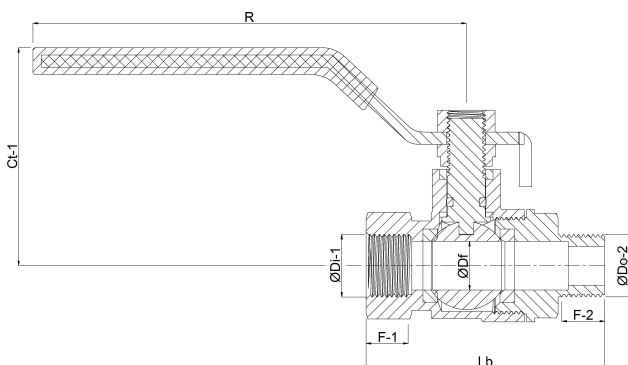
Lb 90,5 mm

R 113 mm

ØDf 25 mm

ØDi-1 1 "

ØDo-2 1 "



Last modified date: 23/05/2026

Bosta UK Ltd.
Reflection House
Olding Road
Bury St. Edmunds
Suffolk
IP33 3TA
T +44 (0) 1284 716580
E enquiries@bosta.co.uk
<http://www.bosta.com>