

**Flange stainless steel 316  
DN40 x DN40 x 1 1/2" DIN  
flange x female thread 40bar  
DN40 PN40 (0080667)**



# TECHNICAL SPECIFICATIONS

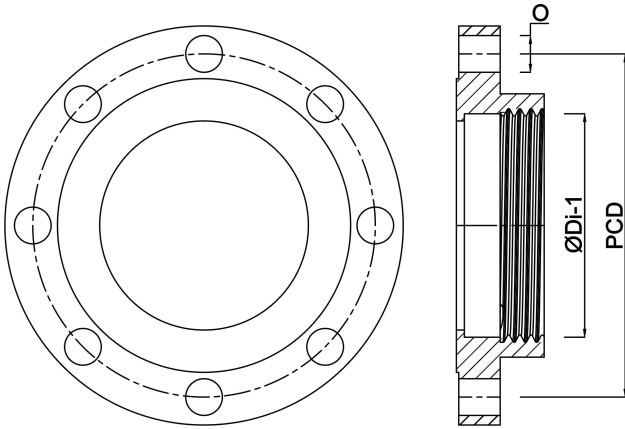
Material	stainless steel 316
Connection	DIN flange x female thread
DIN Standard	DIN 2566
Size	DN40 x DN40 x 1 1/2"
DN	40
Flange	PN40
Diameter	48,3 mm
Outer ø	150 mm
Weight	2.1 kg
Thickness	18 mm
Pressure	40 bar
Bolt hole	18 mm
Holes	4

## DIMENSIONS

O	18 mm
PCD	110 mm

ØDi-1

1 1/2 "



**Last modified date: 22/05/2026**

Bosta UK Ltd.  
Reflection House  
Olding Road  
Bury St. Edmunds  
Suffolk  
IP33 3TA  
T +44 (0) 1284 716580  
E [enquiries@bosta.co.uk](mailto:enquiries@bosta.co.uk)  
<http://www.bosta.com>