

**PSH Commercial pool pump
cast iron DN80 x 3" flange x
female thread 5,3A
230/400VAC black type
FDN3000-14 (7029850)**



 P S H

TECHNICAL SPECIFICATIONS

Colour	black
Shaft	stainless steel 316L
Pump body	cast iron
Material impeller 1	bronze/aluminium
Material cover	cast iron
Material seal	carbon/ceramic
Connection	flange x female thread
Voltage	230/400VAC
Width	210 mm
Height	319 mm
Frequency	50 Hz
IP value	IP55
Motor RPM	2900
Type	FDN3000-14
Capacity	44 m ³ /h
Output Power	2 HP
Size	DN80 x 3"

Length 791 mm

Weight 53 kg

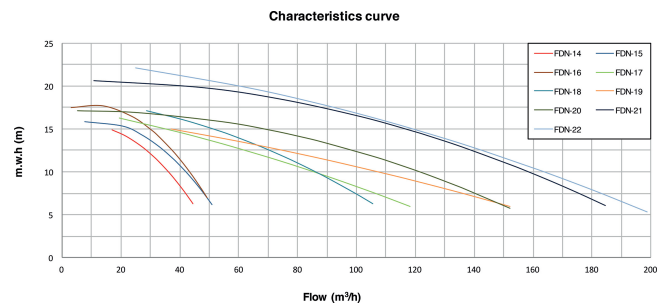
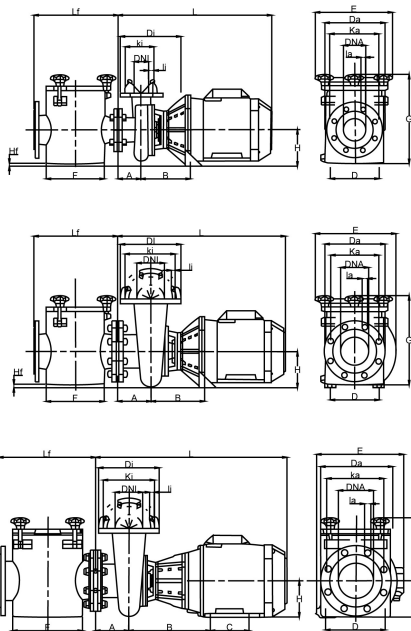
Power 1.5 kW

Ampere 5,3 A

DIMENSIONS

A 82 mm

B 172 mm



PART NO.	Da	Ka	la	Di	Ki	li	A	B	C	D	E	F	G	H	HF	L	Lf
7029850	200	160	19	152	125	14	82	172	-	140	271	210	319	132	12	491	300
7029851	200	160	19	152	125	14	82	172	-	140	271	210	319	132	12	491	300
7029852	200	160	19	152	125	14	82	182	-	190	271	210	319	132	-	533	300
7029853	220	180	19	220	180	19	120	196	-	190	288	210	320	132	-	584	300
7029854	220	180	19	220	180	19	120	196	-	190	288	210	320	132	-	606	300
7029855	220	180	19	220	180	19	120	196	-	190	288	210	320	132	-	606	347
7029856	250	210	19	220	180	19	120	196	-	190	275	250	347	132	-	606	347
7029857	250	210	19	220	180	19	120	196	-	190	275	250	347	132	-	606	347
7029858	250	210	19	220	180	19	120	292	140	216	312	250	360	132	-	724	347
7029859	250	210	19	220	180	19	120	292	140	216	312	250	360	132	-	724	347
7029860	250	210	19	220	180	19	120	292	140	216	312	250	360	132	-	724	347
7029861	250	210	19	220	180	19	120	292	140	216	312	250	360	132	-	724	347

PRODUCT INFORMATION

FDN-3000 is a pool pump designed to offer the highest performance in filtration and purification of water for commercial pools. All parts in contact with water are treated using a long lasting cataphoresis process. This treatment prevents the formation of troublesome oxides on cast iron pumps significantly prolonging the life of cast iron and is one of the best anti-corrosion and antioxidant treatments existing in today's market.

Features:

- High efficiency motor class IE3 according to regulation (EU)2019/1781
- Special long life treatment to prevent corrosion
- Standard motor which makes it compatible with any manufacturer's engine worldwide
- Robust and durable
- High quality mechanical seal and bearings
- Independent pre-filter allowing use of the pump without pre-filter or assembly to other types of pre-filters
- Pre-filter with large volume and stainless steel basket with easy access for cleaning

Last modified date: 10/03/2026

Bosta UK Ltd.
Reflection House
Olding Road
Bury St. Edmunds
Suffolk
IP33 3TA
T +44 (0) 1284 716580
E enquiries@bosta.co.uk
<http://www.bosta.com>