

Profec Ball valve brass nickel plated 1 1/4" female thread 5bar DVGW type 107 (0401186)



TECHNICAL SPECIFICATIONS

Type	107
Material	brass
Surface treatment	nickel plated
Approval	DVGW
Operation	lever
Colour lever	yellow
Handle material	steel
Housing construction	2-part
Ball material	hard chrome plated brass
Material housing	brass
Material seal	PTFE
Connection	female thread
Flow	full
Temperature range	-20°C - 120°C
Pressure	5 bar
Size	1 1/4"

DIMENSIONS

Ct-1 69.5 mm

F-1 23 mm

F-2 23.5 mm

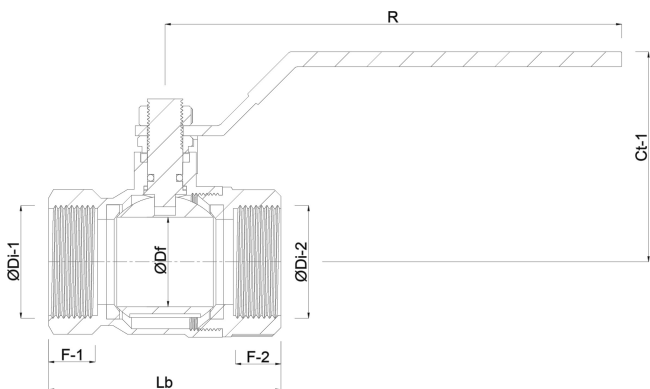
Lb 94,5 mm

R 131.3 mm

ØDf 30.5 mm

ØDi-1 1 1/4 "

ØDi-2 1 1/4 "



PRODUCT INFORMATION

High pressure full flow ball valve, long threaded. Stainless steel handles available.

Last modified date: 15/05/2026

Bosta UK Ltd.
Reflection House
Olding Road
Bury St. Edmunds
Suffolk
IP33 3TA
T +44 (0) 1284 716580
E enquiries@bosta.co.uk
<http://www.bosta.com>