

DAB Meertraps centrifugaalpomp RVS DN50 flens 14.4A 400VAC type NKV 15/8S T (7043203)

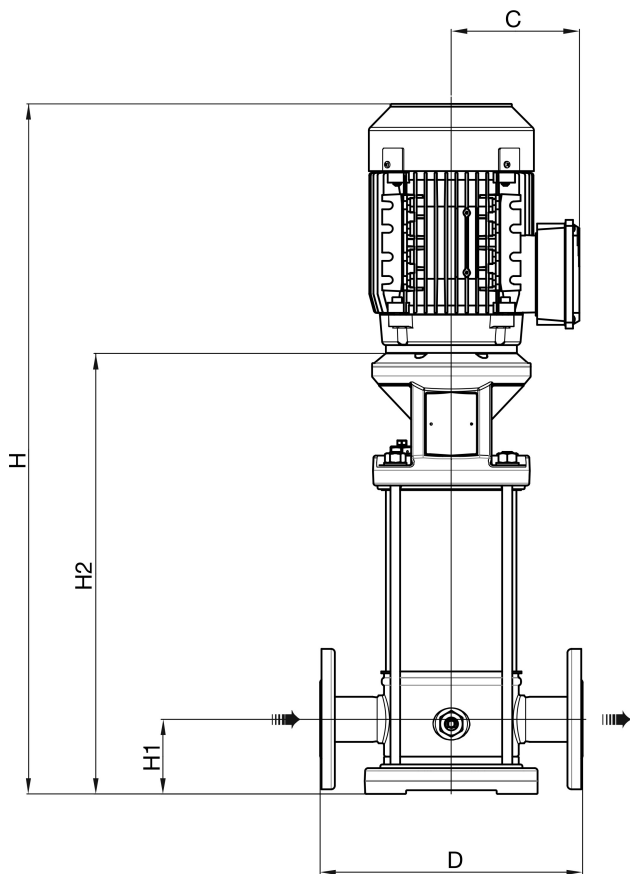


TECHNISCHE SPECIFICATIES

| | |
|------------|-------------|
| Materiaal | RVS |
| Verbinding | flens |
| Type | NKV 15/8S T |
| Vermogen | 10 PK |
| Maat | DN50 |
| Spanning | 400VAC |
| Vermogen | 7.5 kW |
| Ampère | 14.4 A |

AFMETINGEN

| | |
|-----|---------|
| C | 160 mm |
| D | 300 mm |
| H | 1246 mm |
| H-1 | 90 mm |
| H-2 | 896 mm |



Gegeneerd op datum: 27-05-2026

<http://www.bosta.com>